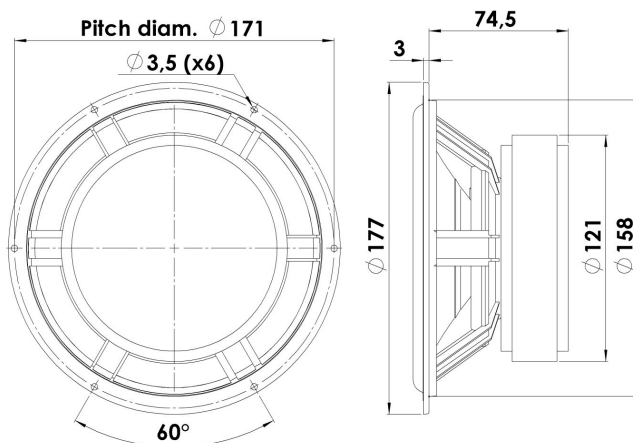




## MIDWOOFER

## 18W/8542-10

The heritage, quality and success of Scan-Speak's designs during decades live on in the Classic family, with such patented and proprietary technologies as; Symmetrical Drive, Low Loss Linear Suspension, air dried paper/carbon fiber cones and coated textile diaphragms.



### KEY FEATURES:

- Patented Symmetrical Drive Motor Design
- 42mm Voice Coil
- Low Damping Black Coated Foam Surround
- Air Dried Paper/Nylon Fibre Cone
- Low-Loss linear suspension
- Die-cast alu. chassis

#### T-S Parameters

Resonance frequency [fs]	43 Hz
Mechanical Q factor [Qms]	1.7
Electrical Q factor [Qes]	0.44
Total Q factor [Qts]	0.35
Force factor [Bl]	6.9 Tm
Mechanical resistance [Rms]	2.1 kg/s
Moving mass [Mms]	13.6 g
Compliance [Cms]	1.0 mm/N
Effective diaph. diameter [D]	131 mm
Effective piston area [Sd]	135 cm <sup>2</sup>
Equivalent volume [Vas]	26 l
Sensitivity (2.83V/1m)	88 dB
Ratio Bl/√Re	2.9 N/√W
Ratio fs/Qts	123 Hz

#### Notes:

IEC specs. refer to IEC 60268-5 third edition.  
All Scan-Speak products are RoHS compliant.  
Data are subject to change without notice.  
Datasheet updated: March 11, 2019.

#### Electrical Data

Nominal impedance [Zn]	8 Ω
Minimum impedance [Zmin]	6.6 Ω
Maximum impedance [Zo]	27 Ω
DC resistance [Re]	5.7 Ω
Voice coil inductance [Le]	0.2 mH

#### Power Handling

100h RMS noise test (IEC 17.1)	70 W
Long-term max power (IEC 17.3)	130 W

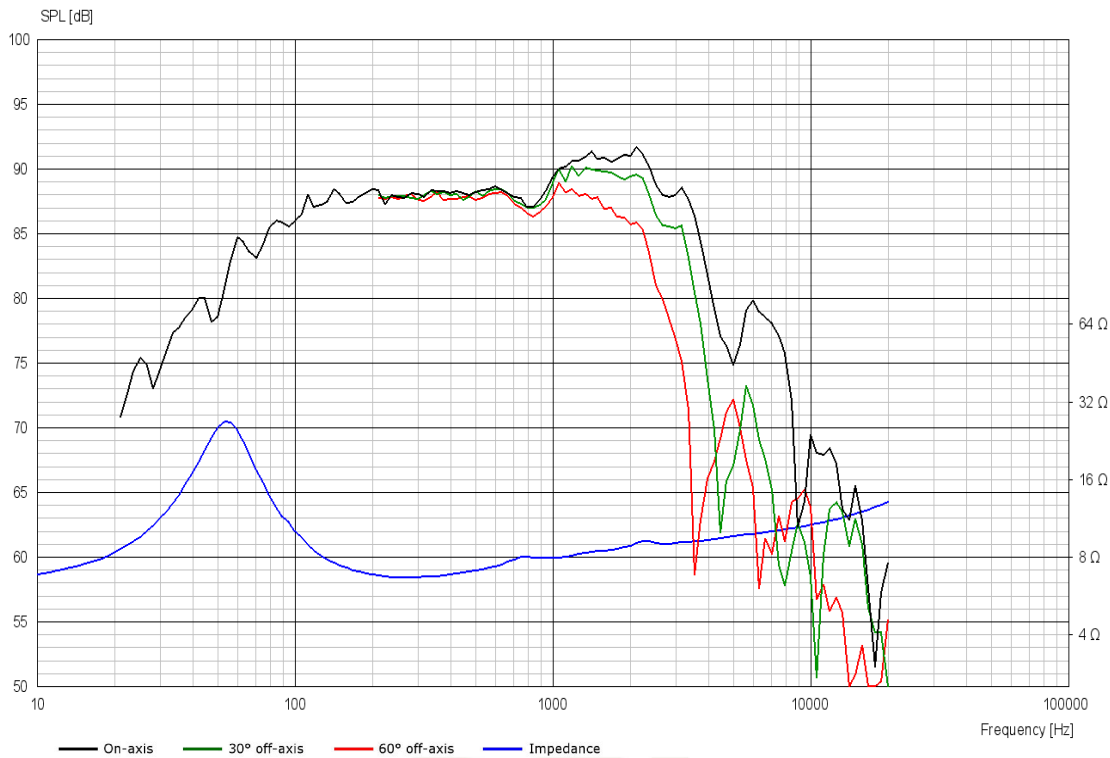
#### Voice Coil & Magnet Data

Voice coil diameter	42 mm
Voice coil height	19 mm
Voice coil layers	2
Height of gap	6 mm
Linear excursion	± 6.5 mm
Max mech. excursion	± 10 mm
Unit weight	2.2 kg

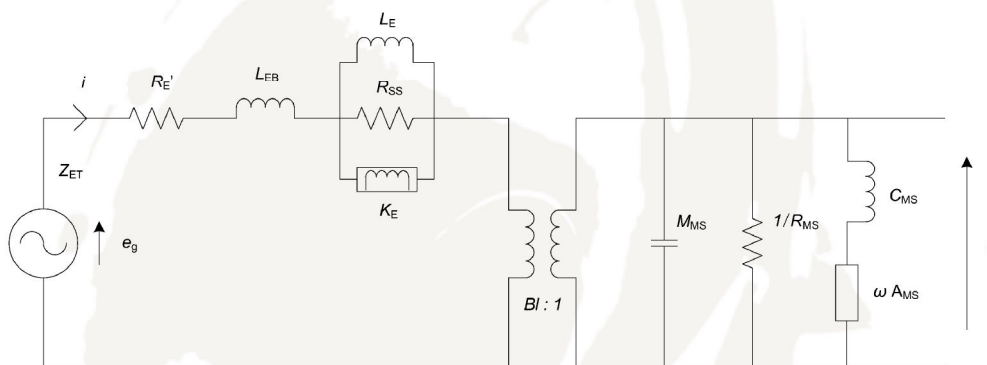


# MIDWOOFER

# 18W/8542-10



## Advanced Parameters (Preliminary)



### Electrical data

Resistance [ $R_{E'}$ ]	- $\Omega$
Free inductance [ $L_{EB}$ ]	- mH
Bound inductance [ $L_E$ ]	- mH
Semi-inductance [ $K_E$ ]	- SH
Shunt resistance [ $R_{SS}$ ]	- $\Omega$

### Mechanical Data

Force Factor [ $BI$ ]	- Tm
Moving mass [ $M_{MS}$ ]	- g
Compliance [ $C_{MS}$ ]	- mm/N
Mechanical resistance [ $R_{MS}$ ]	- kg/s
Admittance [ $A_{MS}$ ]	- mm/N