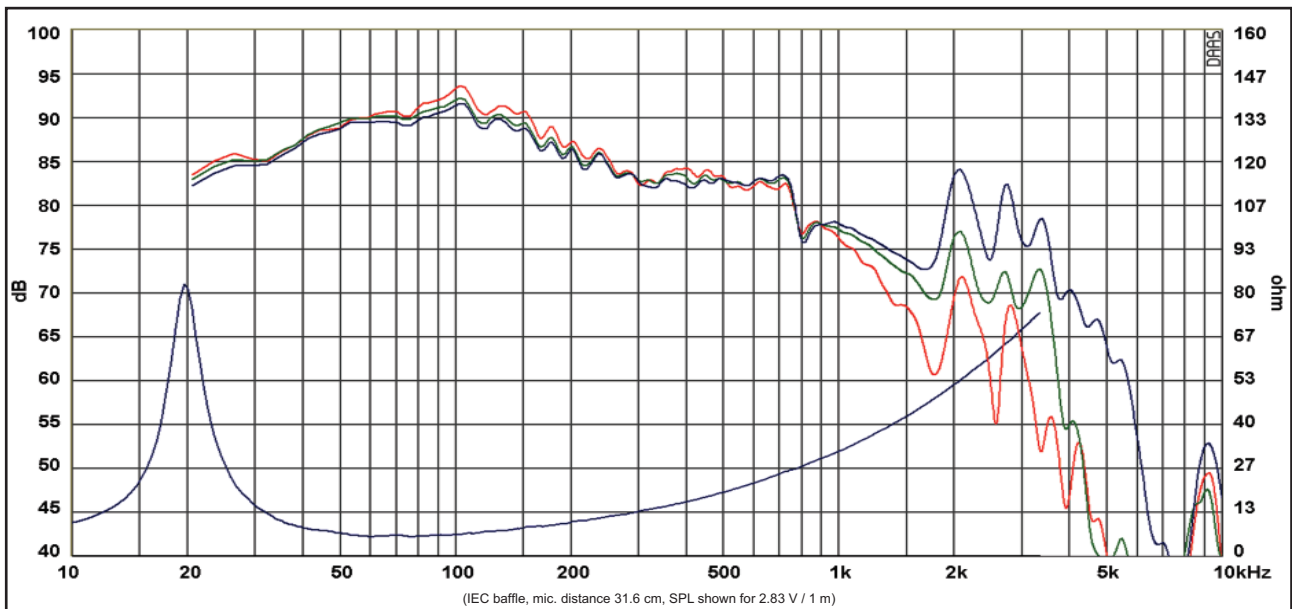
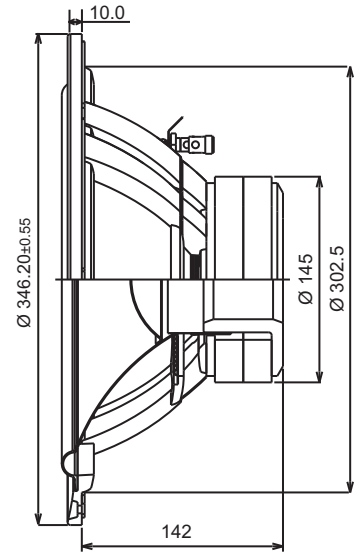
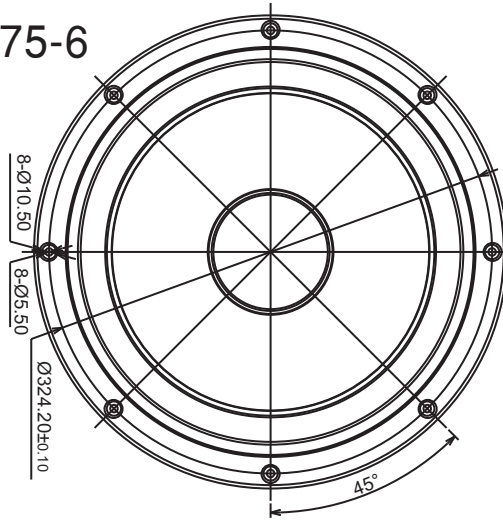


ACOUSTICS

12" SB34SWNRX-S75-6



Response Curve :

— (Blue) : on axis — (Green) : 30° off-axis — (Red) : 60° off-axis

Specs :

Nominal Impedance	6 Ω	Free air resonance, Fs	19 Hz
DC resistance, Re	4.5 Ω	Sensitivity (2.83 V / 1 m)	88 dB
Voice coil inductance, Le	3.0 mH	Mechanical Q-factor, Qms	5.0
Effective piston area, Sd	508 cm ²	Electrical Q-factor, Qes	0.34
Voice coil diameter	75.6 mm	Total Q-factor, Qts	0.32
Voice coil height	28.5 mm	Moving mass incl.air, Mms	154 g
Air gap height	6 mm	Force factor, Bl	15.4 Tm
Linear coil travel (p-p)	22 mm	Equivalent volume, Vas	164 liters
Magnetic flux density	0.63 T	Compliance, Cms	0.46 mm/N
Magnet weight	2.1 kg	Mechanical loss, Rms	3.7 kg/s
Net weight	5.85 kg	Rated power handling*	200 W

* IEC 268-5, T/S parameter measured on drive units that are broken in.