

Model No.: SLS-P830945
 Product Line: Peerless

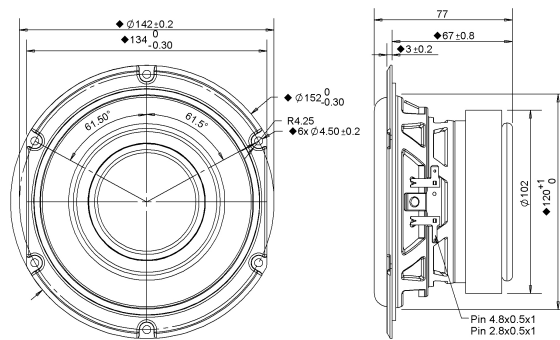
Rev: 1
 Last Update: 2017-04-25 14:32:09

Product Description

The SLS line combines high quality performance with an affordable design. This 5.25 inch 4 ohm member of the SLS family features a rigid steel basket, a paper cone, and a ferrite magnet motor with aluminium shorting ring for improved distortion performance.



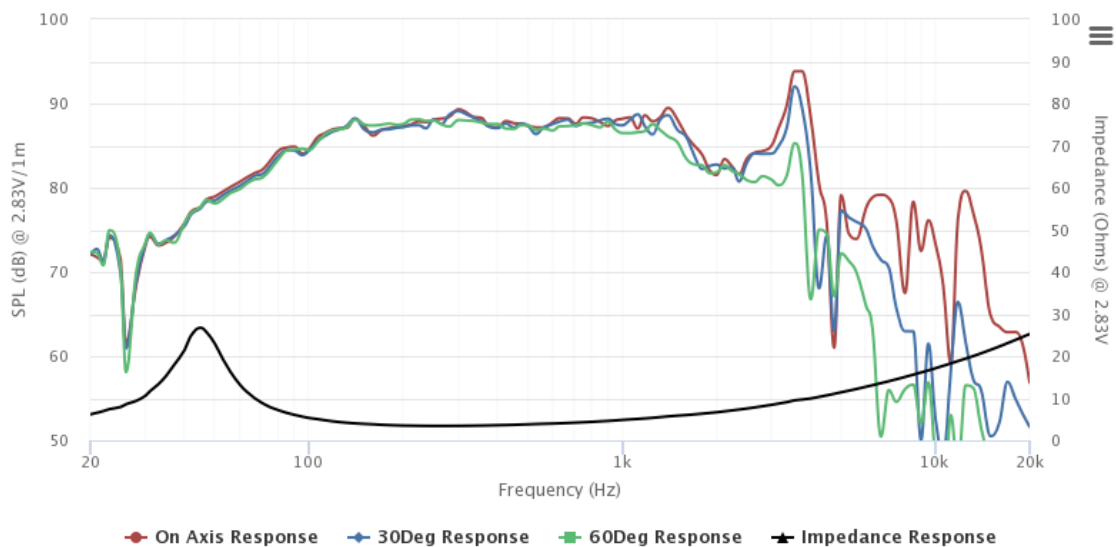
Mechanical Drawing



Specifications

DC Resistance	Revc	Ohms	2.71	5.0%	Energy Bandwidth Product	EBP	(1/Qes) ^{fs}
Minimum Impedance	Zmin	Ohms	3.44	7.5%	Moving Mass	Mms	g
Voice Coil Inductance	Le	mH	0.2		Suspension Compliance	Cms	um/N
Resonant Frequency	Fs	Hz	51.49	15%	Effective Cone diameter	D	cm
Mechanical Q Factor	Qms		3.95		Effective Piston Area	Sd	cm ²
Electrical Q Factor	Qes		0.4		Effective Volume	Vas	L
Total Q Factor	Qts		0.36		Motor Force Factor	BL	Tm
Ratio Fs/Qts	F	Fs/Qts	141.84		Motor Efficiency Factor	β	(T*M ²)/Ohms
Half Space Sensitivity @2.83V	db@2.83V/1M	dB	88.36	+/- 1.0db	Voice coil former Material	VCfm	ASV
Half Space Sensitivity @1W/1M	db@1W/1M	dB	84.7	+/- 1.0db	Voice coil inner diameter	VCd	mm
Gap Height	Gh	mm	6		Rated Noise Power	P	W
Maximum Linear Excursion	Xmax	mm	5		Test Spectrum Bandwidth		20Hz - 20kHz
Ferrofluid Type	FF				Driver Size	Inch	5.25 in
Driver Mass	Kg		1.48				

Frequency and Impedance Response



Highcharts.com