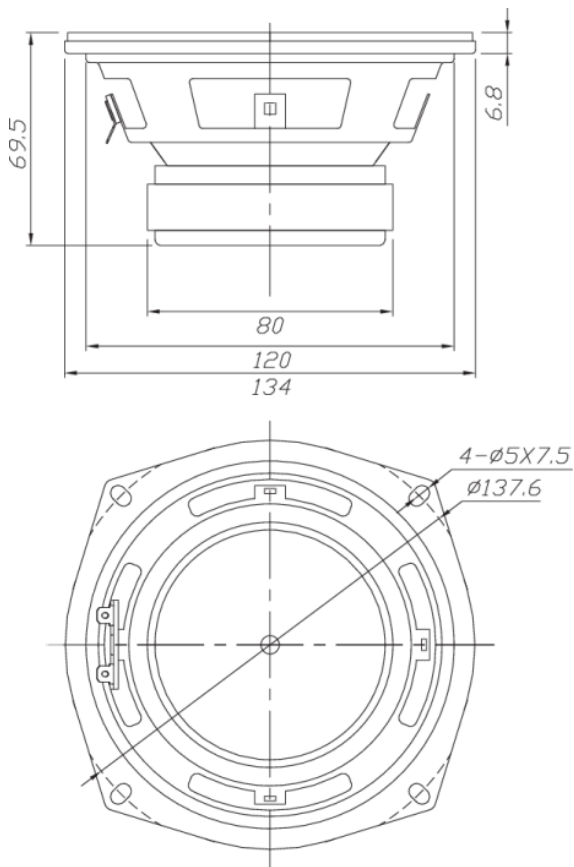




DC130A-8 5-1/4" Classic Woofer Speaker 8 Ohm

DC130A-8



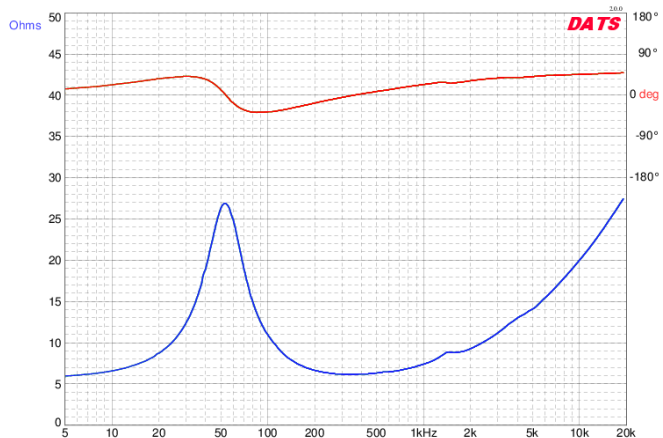
PARAMETERS

| | |
|-----------------------------|----------------------|
| Impedance | 8 ohms |
| Re | 5.7 ohms |
| Le | 0.75 mH @ 1 kHz |
| Fs | 53.2 Hz |
| Qms | 1.90 |
| Qes | 0.51 |
| Qts | 0.41 |
| Mms | 9.3g |
| Cms | 0.96 mm/N |
| Sd | 91.6 cm ² |
| Vd | 22.9 cm ³ |
| BL | 5.88 Tm |
| Vas | 11.8 liters |
| Xmax | 2.5 mm |
| VC Diameter | 25.4 mm |
| SPL | 88.7 dB @ 2.83V/1m |
| RMS Power Handling | 40 watts |
| Usable Frequency Range (Hz) | 50 - 5,000 Hz |

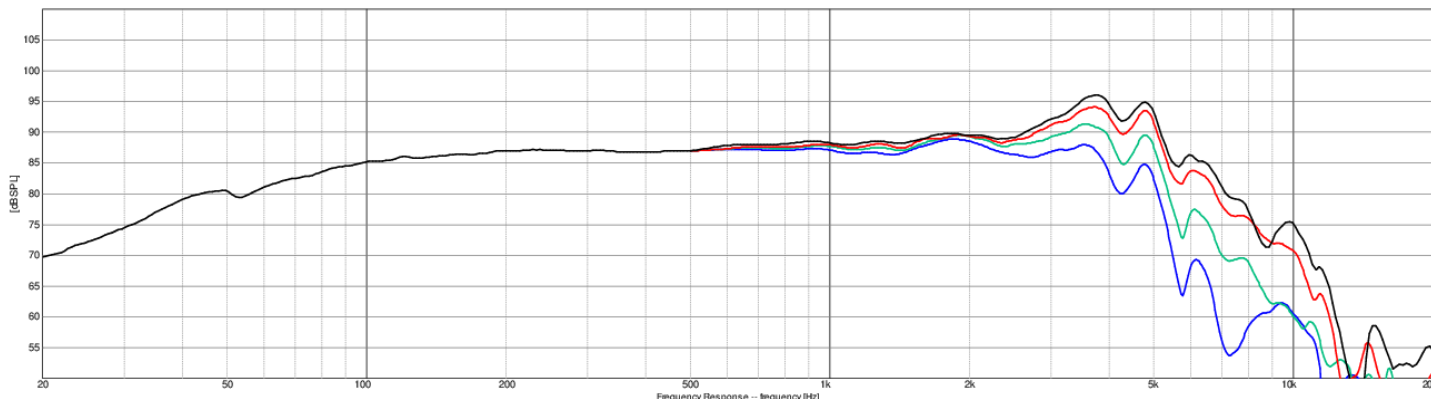
FEATURES

- "Pincushion" steel frame for great looks and strength
- Coated paper cone provides smooth response and reduced cone breakup
- Suitable for sealed or vented enclosures
- Large diameter flat spider and good Xmax for clean bass
- Aluminum voice coil former for high power handling

IMPEDANCE/PHASE



FREQUENCY RESPONSE



Note: 1/12th octave smoothing - nearfield response included in graph below 450 Hz.

Black = 0°
Red = 15°
Green = 30°
Blue = 45°