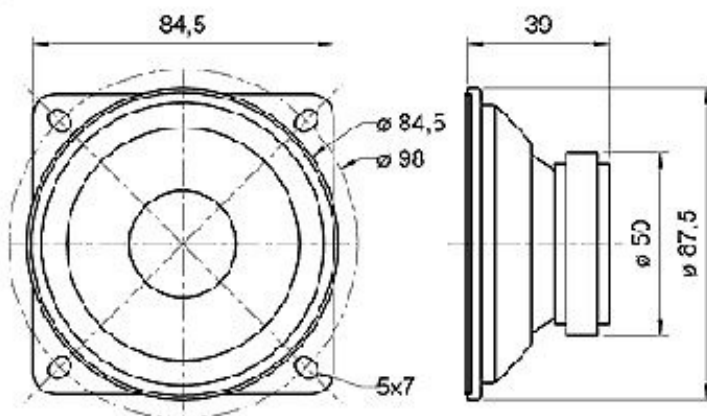


# FR87 (4630)

## Technical Data:

Rated power	10 Watt
Maximum power	15 Watt
Nominal impedance	4 Ohm
Frequency response (-10 dB)	100 - 20000 Hz
Mean sound pressure level	85 dB (1W/1m)
Resonance frequency $f_s$	137 Hz
Voice coil diameter	15 mm
Cutout diameter	80 mm
Net weight	210 g
D.C. resistance $R_{dc}$	3,5 Ohm
Mechanical Q factor $Q_{ms}$	6,4
Electrical Q factor $Q_{es}$	1,56
Total Q factor $Q_{ts}$	1,25
Equivalent volume $V_{as}$	1,6 l
Effective piston area $S_d$	37 cm <sup>2</sup>
Dynamically moved mass $M_{ms}$	1,9 g
Force factor $B \cdot l$	1,9 Tm
Inductance of the voice coil $L$	0,24 mH



FR87  
29.48.05

