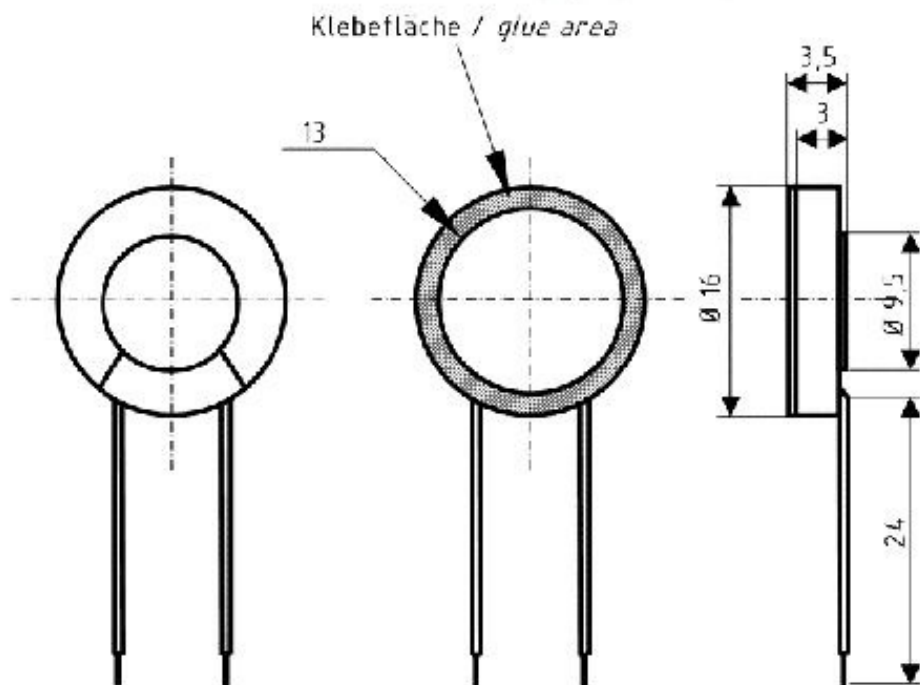


# K16 (#2816)

## Technical Data:

Rated power	0,5 W
Maximum power	1 W
Nominal impedance Z	50 Ohm
Frequency response	700–20000 Hz
Mean sound pressure level	71 dB (1 W/1 m)
Resonance frequency fs	1005 Hz
Voice coil diameter	8 mm
Cutout diameter	13 mm
Net weight	0,002 kg
Length of cable	24 mm



K 16 – 50 Ohm

## VISATON K 16 - 50 Ohm

Frequenzgang 1W / 1m und Impedanzverlauf

