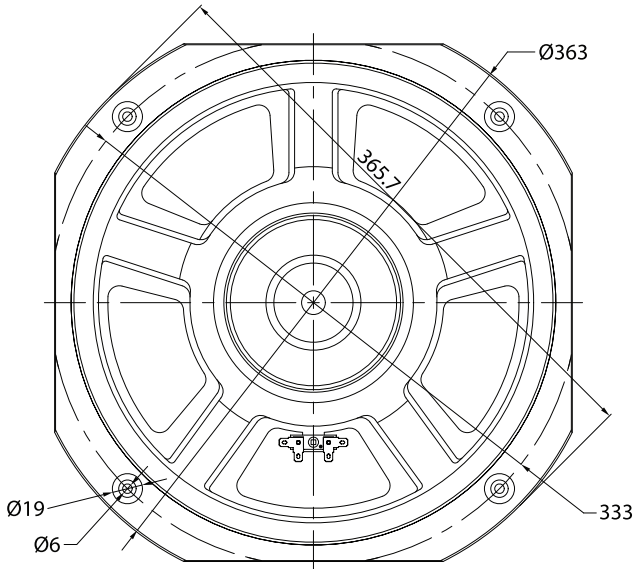
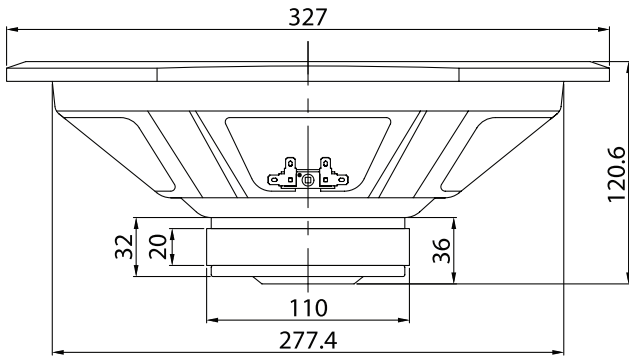




12SFPC-W
12" SQUARE FRAME
PAPER CONE
WOOFER WHITE

MECHANICAL DRAWING

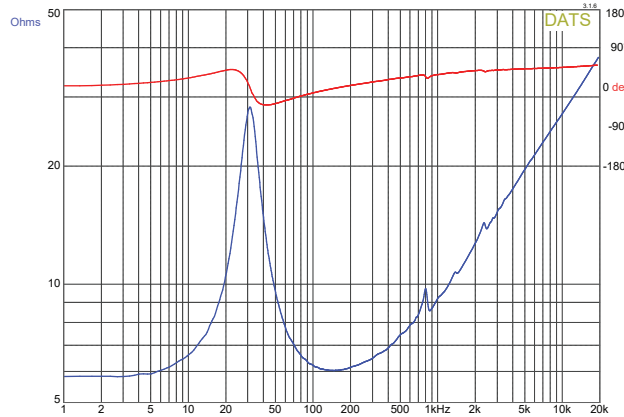


Last Revised: 10/31/2023

FEATURES

- Attractive square stamped steel frame
- Smooth response and hefty bass output
- Treated paper cone minimizes unwanted resonances
- Half roll foam surround improves damping
- Great replacement speaker

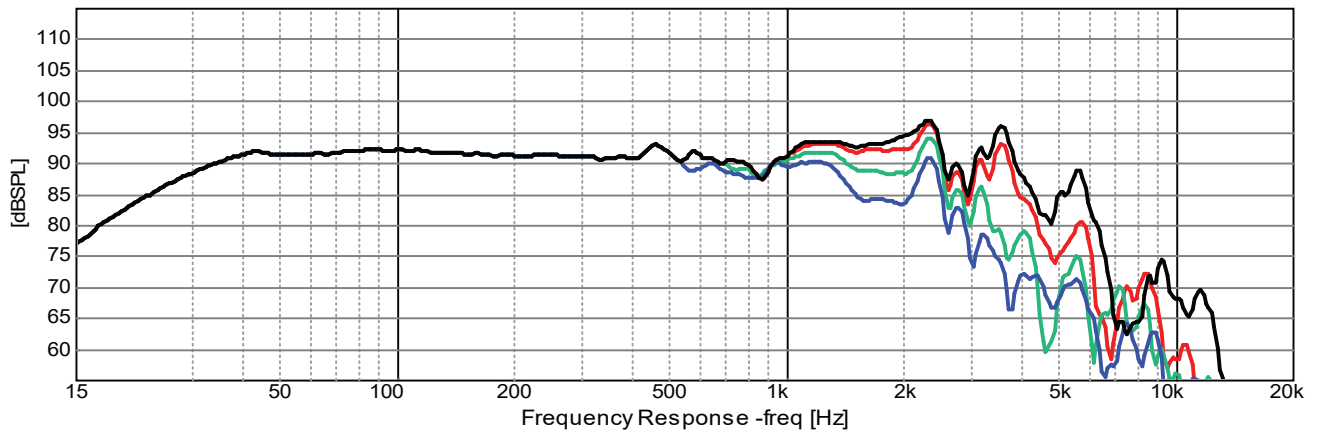
IMPEDANCE/PHASE



PARAMETERS

Impedance	8 ohms
Re	5.8 ohms
Le	0.71 mH@1k
Fs	31.2 Hz
Qms	3.41
Qes	0.89
Qts	0.70
Mms	57.0g
Cms	0.46 mm/N
Sd	490.9 cm ²
Vd	2,110.9 cm ³
BL	8.6 Tm
Vas	154.2 liters
Xmax	4.3 mm
VC Diameter	38 mm
SPL	90.5 dB @ 2.83V/1m
RMS Power Handling (AES 426B)	80 watts
Usable Frequency Range (Hz)	25 - 4,000 Hz

FREQUENCY RESPONSE



Note: 1/24th octave smoothing - nearfield response included in graph below 450 Hz.

Black = 0°
 Red = 15°
 Green = 30°
 Blue = 45°