

# SOLEN MURA 8S SPEAKER KIT - DESCRIPTION

The Solen Mura 8S is a compact subwoofer that is perfect for a budget-oriented hifi system. It uses an 8" paper cone woofer that matches the other drivers in the Mura lineup. It was designed with bass extension and musicality in mind, not high SPL. We recommend using two for the best performance and more output capabilities.



Solen offers the detailed plans if you want to build the cabinets yourself. We also have a flat pack option for this kit.

## SPECIFICATIONS

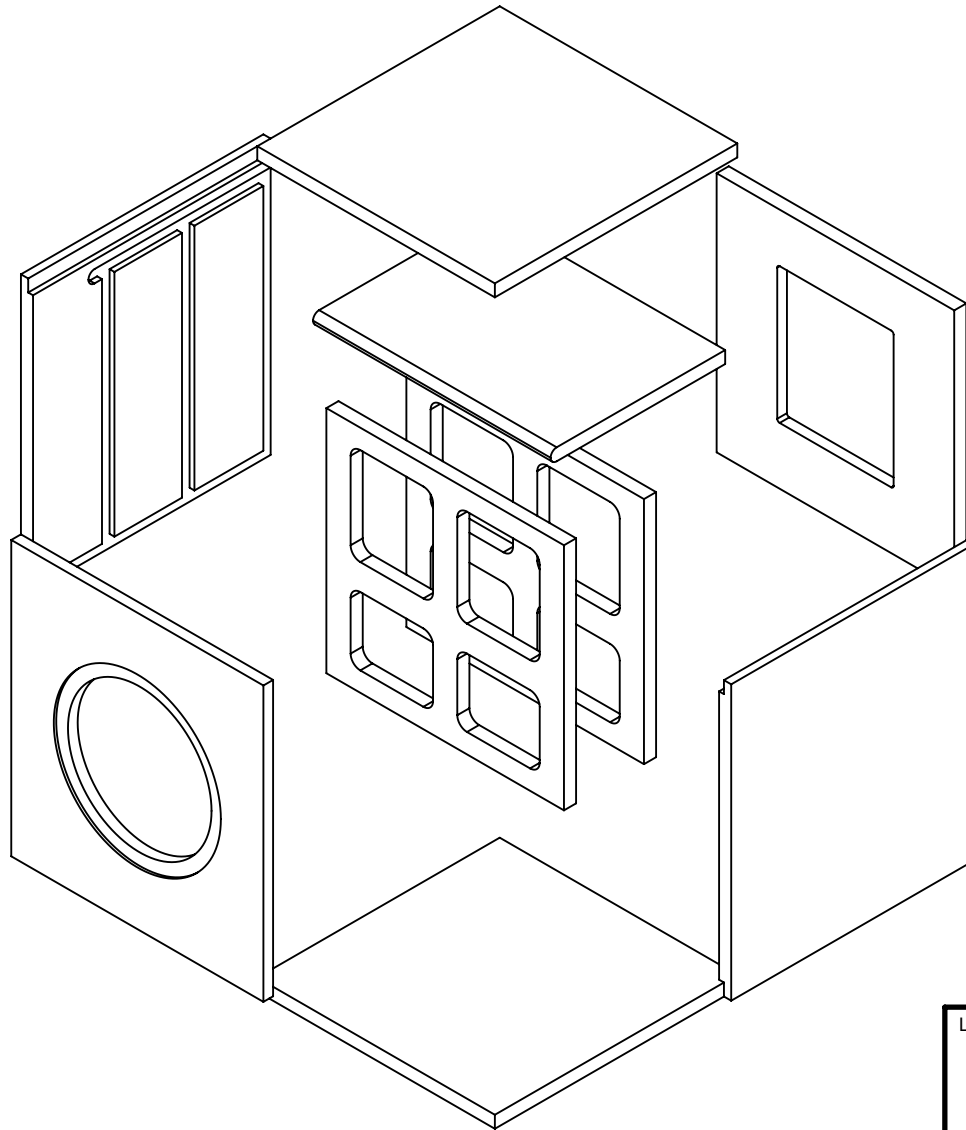
- LOW FREQUENCY DRIVER : SB Acoustics SB20PFCR30-4
- AMPLIFIER : Dayton Audio SPA100-D
- FREQUENCY RESPONSE : 35Hz - 200Hz
- LOW FREQUENCY EXTENSION: -3dB\* = 35Hz / -10dB\*\* = 27Hz
- EXTERNAL DIMENSIONS (HxWxD) : 358.8x330.2x330.2 mm (14 $\frac{1}{8}$ x13x13 in)
- WEIGHT : 11.4 kg ( 25 lbs) each

Designed and drawn by Laurent Tardif

\* NEARFIELD -3dB POINT WITH THE CROSSOVER DIALED TO AROUND 80Hz AND WITH BASS BOOST ACTIVATED  
 \*\* MEASURED -10dB IN SOLEN SHOWROOM AT THE LISTENING POSITION AND WITH BASS BOOST ACTIVATED

Legal Owner:  SOLEN ÉLECTRONIQUE INC., 3940 BLVD. SIR-WILFRID-LAURIER, (450) 656-2759 solen@solen.ca	Description: <b>SOLEN MURA 8S - DESCRIPTION</b>	Projection Method: <b>THIRD ANGLE</b> 	
		Drawing Scale: <b>1:7</b>	All Dimensions: <b>mm [in]</b>
	This drawing and any information or descriptive material set out on it are the confidential and copyright property of Solen Électronique INC. and <b>MUST NOT BE DISCLOSED, COPIED, LOANED</b> in whole or part or used for any purpose without the written permission of Solen Électronique INC.	Material: <b>N/A</b>	
		Drawn by: <b>LAURENT TARDIF</b>	
		Drawn Date: <b>2026-01-07</b>	Sheet Size: <b>LETTER</b>
	Sheet: <b>1 of 11</b>	Revision: <b>#2</b>	



# SOLEN MURA 8S SPEAKER KIT - FLAT PACK ASSEMBLY



THE PARTS WILL ONLY FIT ONE WAY, SO THE ASSEMBLY IS FAIRLY EASY. YOU CAN USE A NAIL GUN TO HELP THE ASSEMBLY.

THE BRACES HAVE A LARGE AND SMALL OPENING, BUT THE ORIENTATION DOES NOT HAVE AN IMPACT ON THE FINAL RESULTS.

THE FRONT HAS A RABBET ALL THE WAY AROUND AND THE SIDES HAVE DADOS AND RABBETS TO HELP ALIGN THE PARTS TOGETHER.

 SOLEN ÉLECTRONIQUE INC., 3940 BLVD. SIR-WILFRID-LAURIER, (450) 656-2759 solen@solen.ca	Legal Owner: SOLEN ÉLECTRONIQUE INC.	Description: <b>SOLE MURA 8S - FLAT PACK ASSEMBLY</b>	Projection Method: <b>THIRD ANGLE</b> 
	This drawing and any information or descriptive material set out on it are the confidential and copyright property of Solen Électronique INC. and MUST NOT BE DISCLOSED, COPIED, LOANED in whole or part or used for any purpose without the written permission of Solen Électronique INC.		Drawing Scale: <b>1:7</b>
			All Dimensions: mm [in]
			Material: <b>N/A</b>
			Drawn by: <b>LAURENT TARDIF</b>
		Drawn Date: <b>2026-01-07</b>	Sheet Size: <b>LETTER</b>
		Sheet: <b>2 of 11</b>	Revision: <b>#2</b>

# SOLEN MURA 8S SPEAKER KIT - ASSEMBLY INSTRUCTION 1/2

## 1. PILOT HOLES

POSITION THE DRIVER IN THE BAFFLE AND ORIENT IT THE WAY YOU PREFER AND USE A PUNCH TO MARK THE HOLES LOCATION. DO THE SAME FOR THE AMPLIFIER AT THE BACK AND THE FEET ON THE BOTTOM. THEN USE A 1/8" DRILL BIT TO DO THE PILOT HOLES.

## 2. DAMPING MATERIAL

TAKE THE POLYESTER BATTING AND CUT IT IN HALF. FOLD EACH HALF AND PLACE THEM BETWEEN THE TWO BRACES.



## SCREWS & INSERTS

- 8X3/4P (12x) FOR WOOFER AND FEET

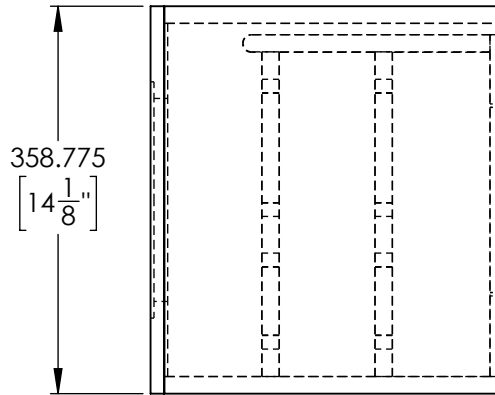
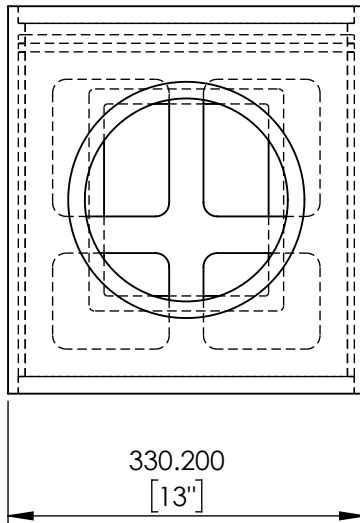
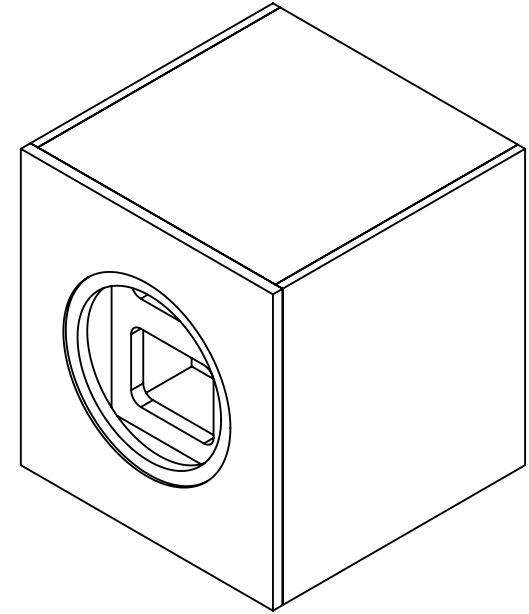
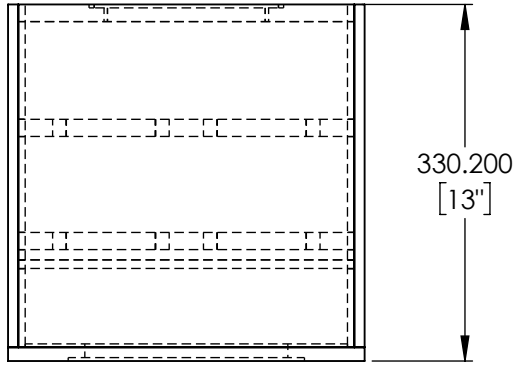
- 6X3/4P (12x) ARE USED TO FIX THE AMPLIFIER


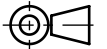
## 3. INSTALLING THE PARTS

1. INSTALL THE FEET AND THE AMPLIFIER USING THE APPROPRIATE SCREWS. DO NOT OVERTIGHTEN THEM.
2. CONNECT THE WIRES FROM THE AMPLIFIER TO THE WOOFER. MAKE SURE TO CONNECT THE RED WIRE TO THE POSITIVE AND THE BLACK WIRE TO THE NEGATIVE OF THE DRIVER.
3. YOU CAN USE A TIE-WRAP TO MAKE SURE THE AMPLIFIER WIRE DOESN'T RATTLE.
4. INSTALL THE DRIVER ON THE BAFFLE USING THE APPROPRIATE SCREWS. DO NOT OVERTIGHTEN THEM.

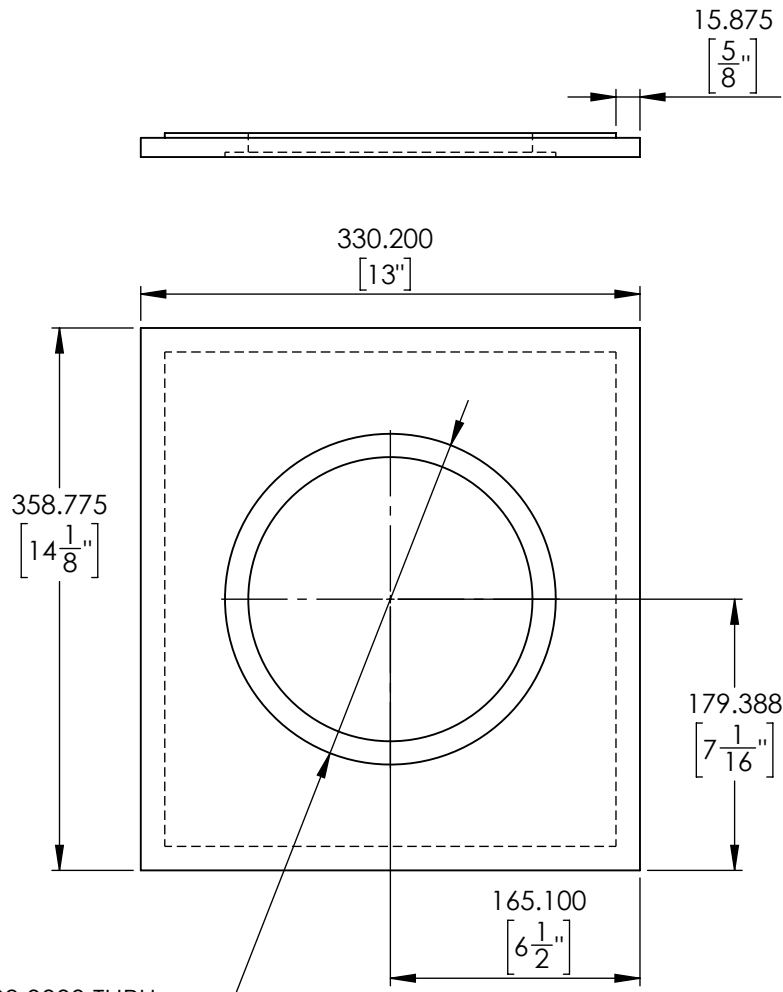
 <p>SOLEN ÉLECTRONIQUE INC. 3940 BLVD. SIR-WILFRID-LAURIER (450) 656-2759 solen@solen.ca</p>	Legal Owner: Description: <b>SOLEN MURA 8S - ASSEMBLY INSTRUCTIONS</b>	Projection Method: <b>THIRD ANGLE</b> 	
	This drawing and any information or descriptive material set out on it are the confidential and copyright property of Solen Électronique INC. and MUST NOT BE DISCLOSED, COPIED, LOANED in whole or part or used for any purpose without the written permission of Solen Électronique INC.	Drawing Scale: <b>1:7</b>	All Dimensions: mm [in]
		Material: <b>N/A</b>	
		Drawn by: <b>LAURENT TARDIF</b>	
		Drawn Date: <b>2026-01-07</b>	Sheet Size: <b>LETTER</b>
	Sheet: <b>3 of 11</b>	Revision: <b>#2</b>	

# SOLEN MURA 8S SPEAKER KIT - ASSEMBLY

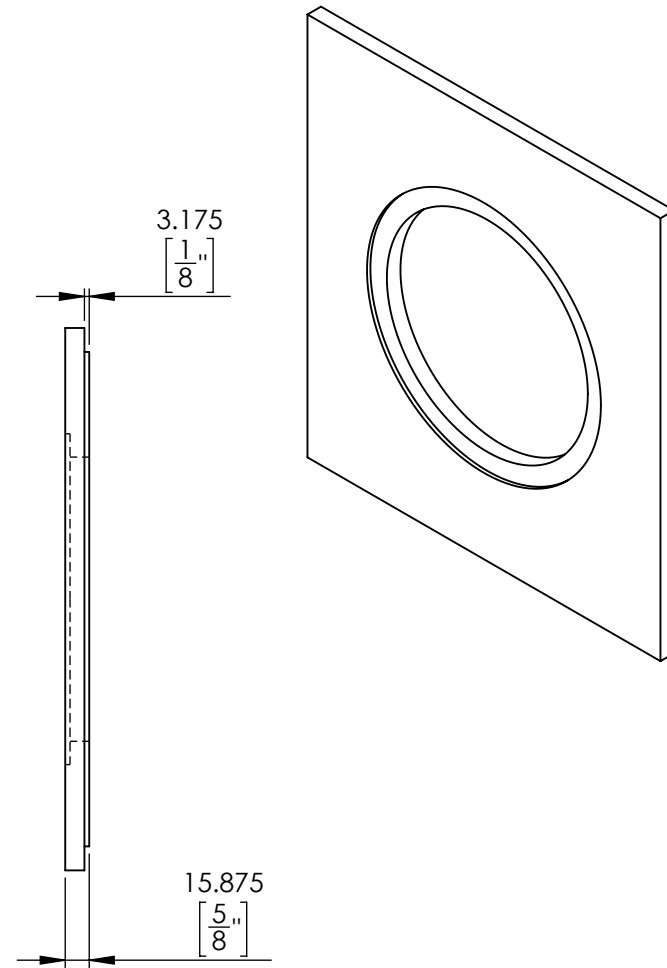



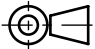
<p>Legal Owner:</p>  <p>SOLEN ÉLECTRONIQUE INC., 3940 BLVD. SIR-WILFRID- LAURIER, (450) 656-2759 solen@solen.ca</p>	<p>Description: <b>SOLEN MURA 8S - ASSEMBLY</b></p>	<p>Projection Method:  <b>THIRD ANGLE</b></p>	
	<p>This drawing and any information or descriptive material set out on it are the confidential and copyright property of Solen Électronique INC. and <b>MUST NOT BE DISCLOSED, COPIED, LOANED</b> in whole or part or used for any purpose without the written permission of Solen Électronique INC.</p>	<p>Drawing Scale: <b>1:7</b></p>	<p>All Dimensions: <b>mm [in]</b></p>
	<p>Material: <b>5/8" MDF</b></p>	<p>Drawn by: <b>LAURENT TARDIF</b></p>	
	<p>Drawn Date: <b>2026-01-07</b></p>	<p>Sheet Size: <b>LETTER</b></p>	
	<p>Sheet: <b>4 of 11</b></p>	<p>Revision: <b>#2</b></p>	

# SOLEN MURA 8S SPEAKER KIT - BAFFLE

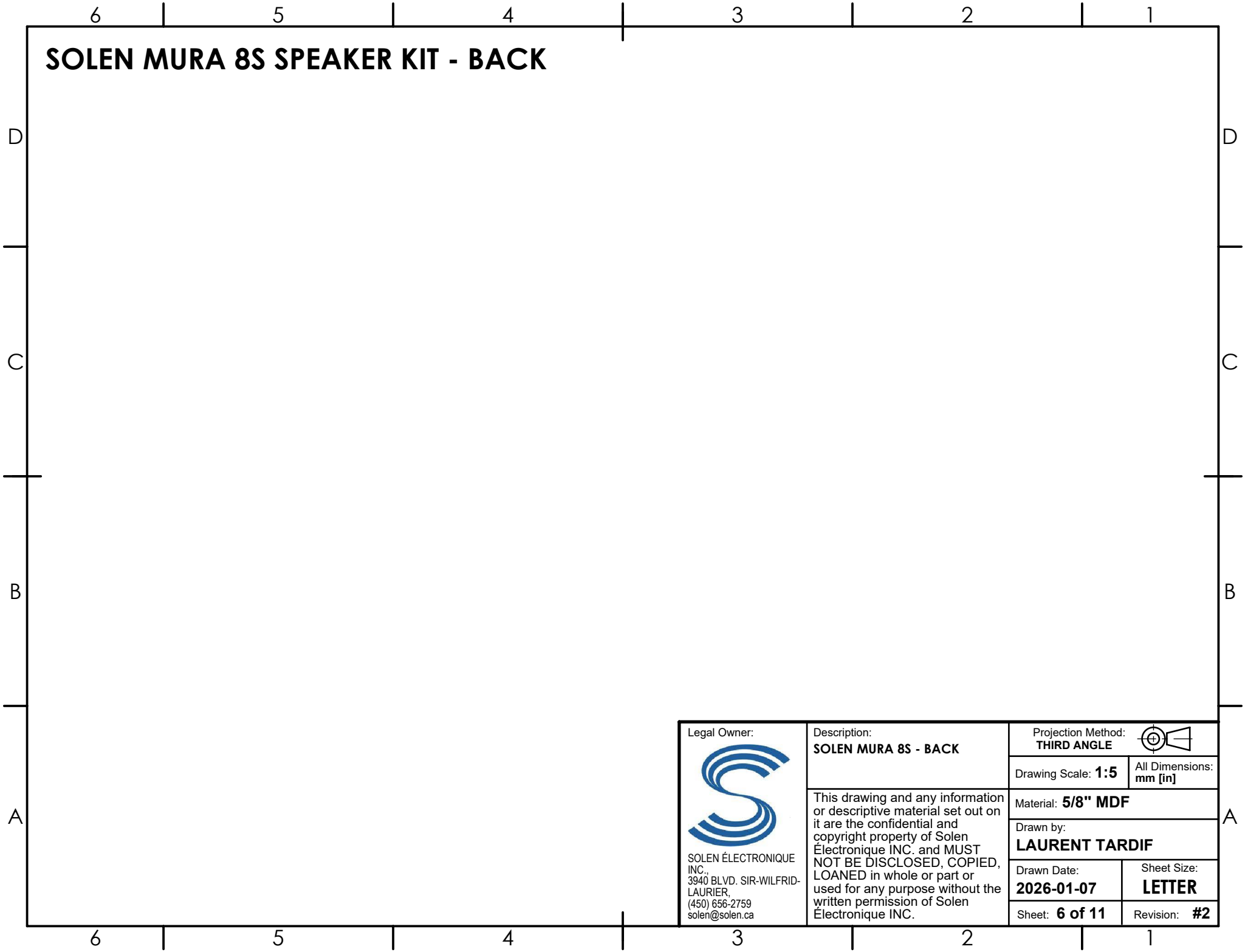



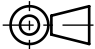
Ø 188.0000 THRU  
 □ Ø 218.8000 ▽ 3.1750



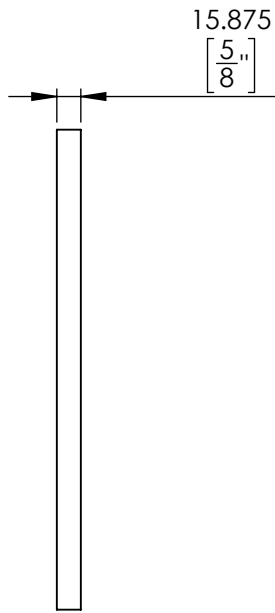
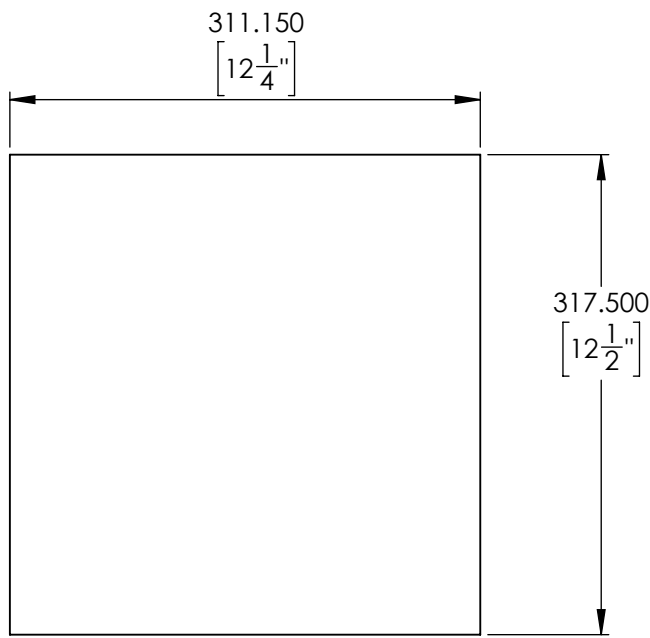
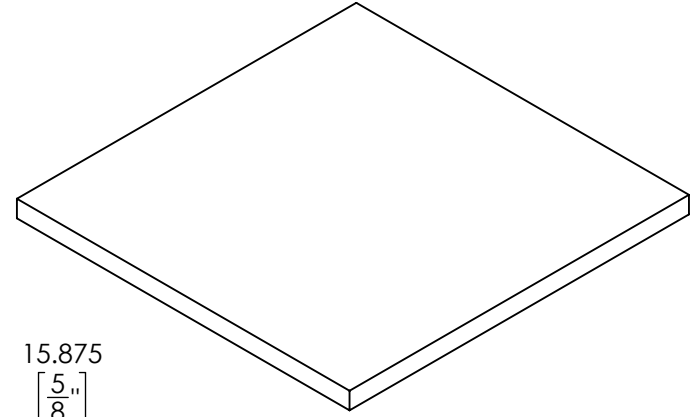
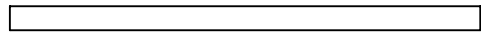
Legal Owner:  SOLEN ÉLECTRONIQUE INC., 3940 BLVD. SIR-WILFRID-LAURIER, (450) 656-2759 solen@solen.ca	Description: <b>SOLEN MURA 8S - BAFFLE</b>	Projection Method: <b>THIRD ANGLE</b> 	
	This drawing and any information or descriptive material set out on it are the confidential and copyright property of Solen Électronique INC. and MUST NOT BE DISCLOSED, COPIED, LOANED in whole or part or used for any purpose without the written permission of Solen Électronique INC.	Drawing Scale: <b>1:5</b>	All Dimensions: mm [in]
		Material: <b>5/8" MDF</b>	
		Drawn by: <b>LAURENT TARDIF</b>	
		Drawn Date: <b>2026-01-07</b>	Sheet Size: <b>LETTER</b>
	Sheet: <b>5 of 11</b>	Revision: <b>#2</b>	


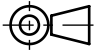
# SOLEN MURA 8S SPEAKER KIT - BACK



<p>Legal Owner:</p>  <p>SOLEN ÉLECTRONIQUE INC., 3940 BLVD. SIR-WILFRID-LAURIER, (450) 656-2759 solen@solen.ca</p>	<p>Description:</p> <p><b>SOLEN MURA 8S - BACK</b></p>	<p>Projection Method:  <b>THIRD ANGLE</b></p>	
	<p>This drawing and any information or descriptive material set out on it are the confidential and copyright property of Solen Électronique INC. and <b>MUST NOT BE DISCLOSED, COPIED, LOANED</b> in whole or part or used for any purpose without the written permission of Solen Électronique INC.</p>	<p>Drawing Scale: <b>1:5</b>    All Dimensions: <b>mm [in]</b></p>	
		<p>Material: <b>5/8" MDF</b></p>	
		<p>Drawn by: <b>LAURENT TARDIF</b></p>	
		<p>Drawn Date: <b>2026-01-07</b></p>	<p>Sheet Size: <b>LETTER</b></p>
<p>Sheet: <b>6 of 11</b></p>	<p>Revision: <b>#2</b></p>		

# SOLEN MURA 8S SPEAKER KIT - TOP&BOTTOM



<p>Legal Owner:</p>  <p>SOLEN ÉLECTRONIQUE INC., 3940 BLVD. SIR-WILFRID-LAURIER, (450) 656-2759 solen@solen.ca</p>	<p>Description:</p> <p><b>SOLEN MURA 8S - TOP&amp;BOTTOM</b></p>	<p>Projection Method:  <b>THIRD ANGLE</b></p>	
		<p>Drawing Scale: <b>1:5</b></p>	<p>All Dimensions: mm [in]</p>
	<p>This drawing and any information or descriptive material set out on it are the confidential and copyright property of Solen Électronique INC. and MUST NOT BE DISCLOSED, COPIED, LOANED in whole or part or used for any purpose without the written permission of Solen Électronique INC.</p>	<p>Material: <b>5/8" MDF</b></p>	
		<p>Drawn by: <b>LAURENT TARDIF</b></p>	
		<p>Drawn Date: <b>2026-01-07</b></p>	<p>Sheet Size: <b>LETTER</b></p>
<p>Sheet: <b>7 of 11</b></p>	<p>Revision: <b>#2</b></p>		

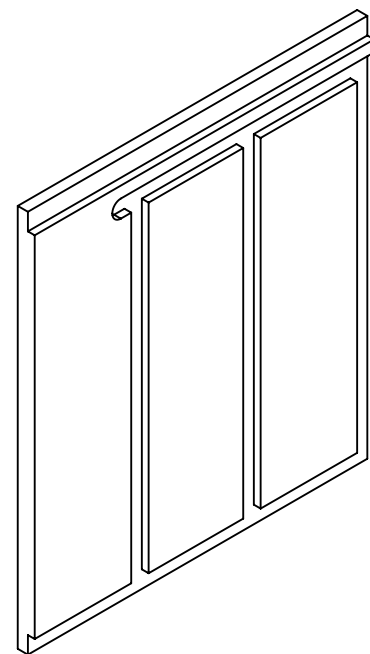
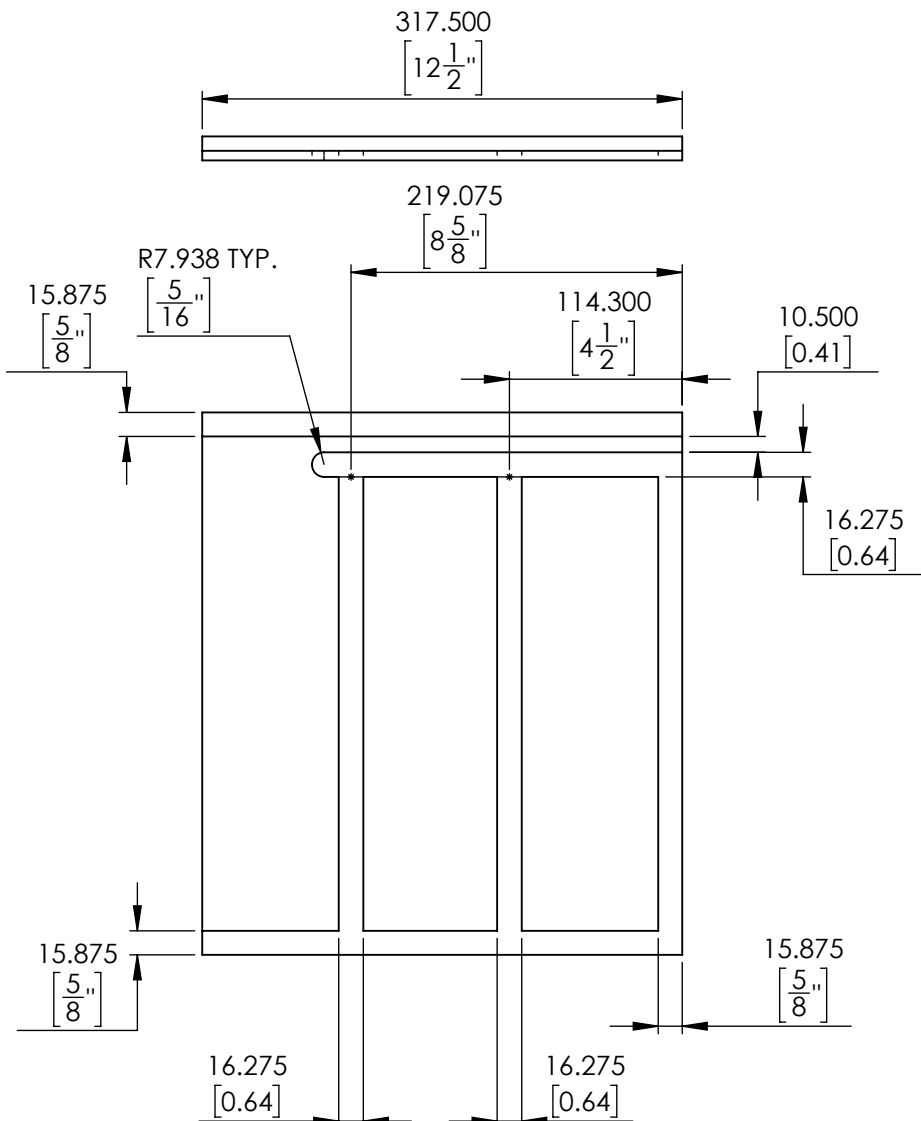
# SOLEN MURA 8S SPEAKER KIT - LEFT SIDE

D

C

B

A





D

C

B

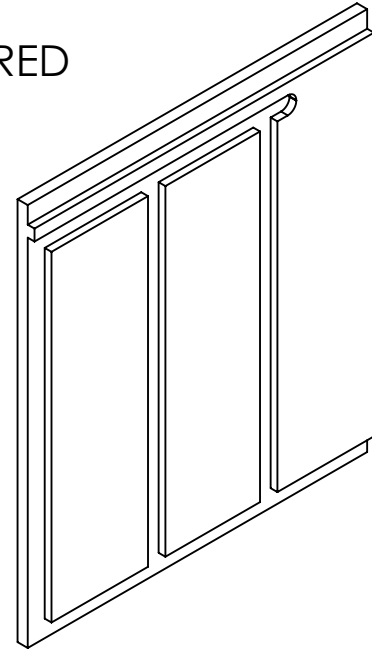
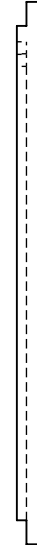
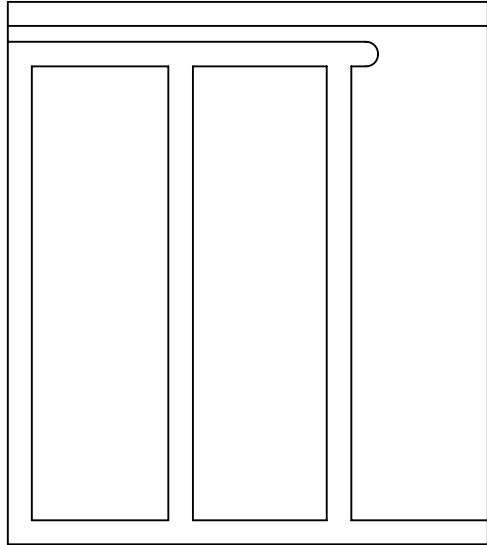
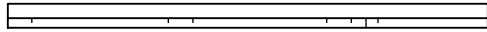
A


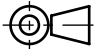
<p>Legal Owner:</p>  <p>SOLEN ÉLECTRONIQUE INC., 3940 BLVD. SIR-WILFRID-LAURIER, (450) 656-2759 solen@solen.ca</p>	<p>Description:</p> <p><b>SOLEN MURA 8S - LEFT SIDE</b></p>	<p>Projection Method:</p> <p><b>THIRD ANGLE</b> </p>
	<p>This drawing and any information or descriptive material set out on it are the confidential and copyright property of Solen Électronique INC. and MUST NOT BE DISCLOSED, COPIED, LOANED in whole or part or used for any purpose without the written permission of Solen Électronique INC.</p>	<p>Drawing Scale: <b>1:5</b></p> <p>All Dimensions: <b>mm [in]</b></p>
	<p>Material: <b>5/8" MDF</b></p>	<p>Drawn by:</p> <p><b>LAURENT TARDIF</b></p>
	<p>Drawn Date:</p> <p><b>2026-01-07</b></p>	<p>Sheet Size:</p> <p><b>LETTER</b></p>
	<p>Sheet: <b>8 of 11</b></p>	<p>Revision: <b>#2</b></p>

6 5 4 3 2 1

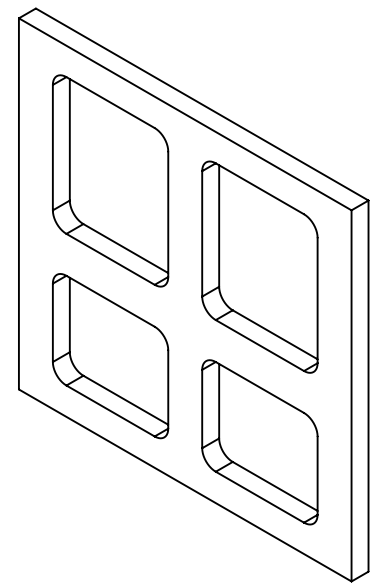
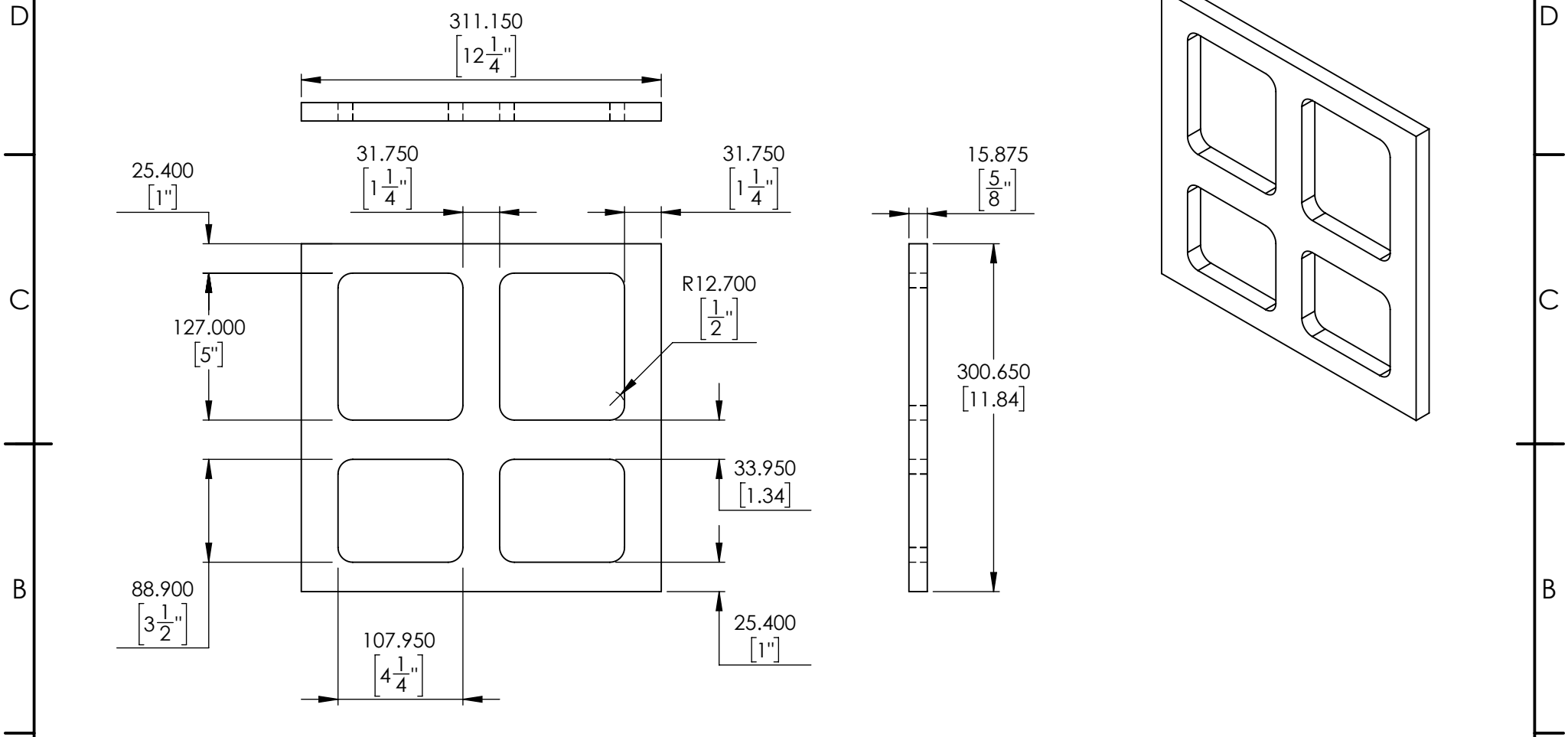
# SOLEN MURA 8S SPEAKER KIT - RIGHT SIDE



SAME AS LEFT SIDE, BUT MIRRORED



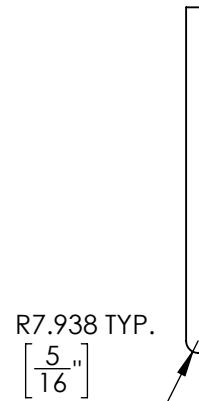
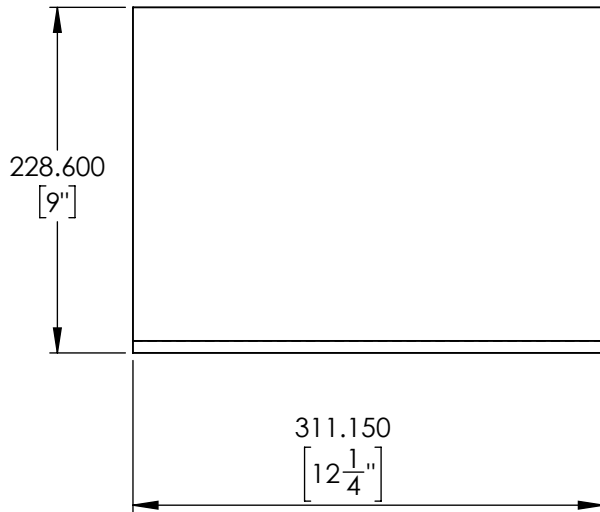
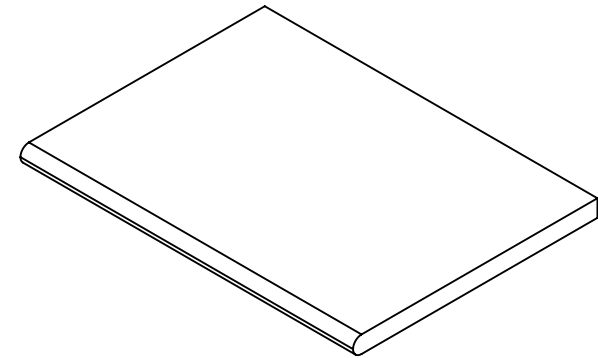
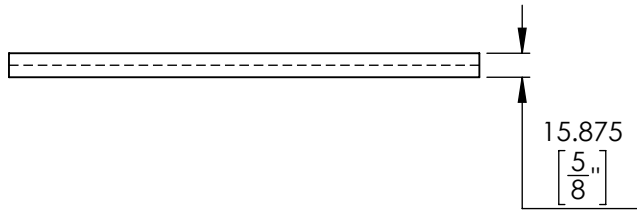
Legal Owner:  SOLEN ÉLECTRONIQUE INC., 3940 BLVD. SIR-WILFRID-LAURIER, (450) 656-2759 solen@solen.ca	Description: <b>SOLEN MURA 8S - RIGHT SIDE</b>	Projection Method: <b>THIRD ANGLE</b> 	
		Drawing Scale: <b>1:5</b>	All Dimensions: mm [in]
	This drawing and any information or descriptive material set out on it are the confidential and copyright property of Solen Électronique INC. and MUST NOT BE DISCLOSED, COPIED, LOANED in whole or part or used for any purpose without the written permission of Solen Électronique INC.	Material: <b>5/8" MDF</b>	
		Drawn by: <b>LAURENT TARDIF</b>	
		Drawn Date: <b>2026-01-07</b>	Sheet Size: <b>LETTER</b>
	Sheet: <b>9 of 11</b>	Revision: <b>#2</b>	



# SOLEN MURA 8S SPEAKER KIT - BRACE



<p>Legal Owner:</p>  <p>SOLEN ÉLECTRONIQUE INC. 3940 BLVD. SIR-WILFRID-LAURIER, (450) 656-2759 solen@solen.ca</p>	<p>Description:</p> <p><b>SOLEN MURA 8S - BRACE</b></p>	<p>Projection Method:</p> <p><b>THIRD ANGLE</b> </p>
	<p>This drawing and any information or descriptive material set out on it are the confidential and copyright property of Solen Électronique INC. and MUST NOT BE DISCLOSED, COPIED, LOANED in whole or part or used for any purpose without the written permission of Solen Électronique INC.</p>	<p>Drawing Scale: <b>1:5</b></p> <p>All Dimensions: mm [in]</p>
	<p>Material: <b>5/8" MDF</b></p>	<p>Drawn by:</p> <p><b>LAURENT TARDIF</b></p>
	<p>Drawn Date:</p> <p><b>2026-01-07</b></p>	<p>Sheet Size:</p> <p><b>LETTER</b></p>
	<p>Sheet: <b>10 of 11</b></p>	<p>Revision: <b>#2</b></p>

# SOLEN MURA 8S SPEAKER KIT - PORT



<p>Legal Owner:</p>  <p>SOLEN ÉLECTRONIQUE INC., 3940 BLVD. SIR-WILFRID-LAURIER, (450) 656-2759 solen@solen.ca</p>	<p>Description:</p> <p><b>SOLEN MURA 8S - PORT</b></p>	<p>Projection Method:</p> <p><b>THIRD ANGLE</b> </p>
	<p>This drawing and any information or descriptive material set out on it are the confidential and copyright property of Solen Électronique INC. and MUST NOT BE DISCLOSED, COPIED, LOANED in whole or part or used for any purpose without the written permission of Solen Électronique INC.</p>	<p>Drawing Scale: <b>1:5</b> All Dimensions: mm [in]</p>
	<p>Material: <b>5/8" MDF</b></p>	
	<p>Drawn by:</p> <p><b>LAURENT TARDIF</b></p>	
	<p>Drawn Date: <b>2026-01-07</b></p> <p>Sheet: <b>11 of 11</b></p>	<p>Sheet Size: <b>LETTER</b></p> <p>Revision: <b>#2</b></p>