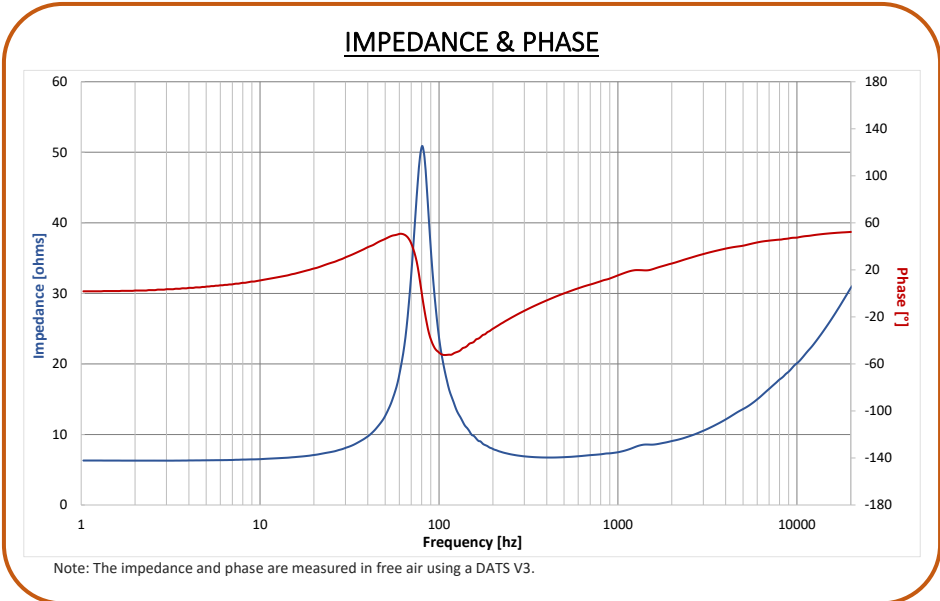
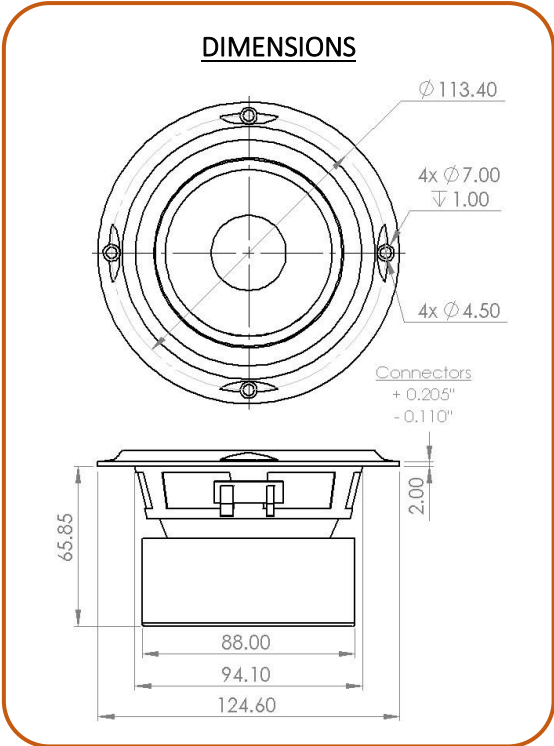




MODEL : HR124B8-10M

TYPE : Midrange driver

- ### FEATURES
- Wood cone
 - Rubber surround
 - Cast frame
 - Linear midrange



PARAMETERS

Fs	81 Hz
Impedance	8 ohms
Re	6.31 ohms
Qms	4.56
Qes	0.64
Qts	0.56
Vas	3.00 liters
Le	0.65 mH @ 1kHz
SPL	86.8 dB @ 2.83V/1m
Mms	5.88 g
Cms	0.66 mm/N
BL	5.42
Xmax	2.0 mm
RMS Power Handling	30 W
Sd	56.75 mm ²
Usable Frequency Range	Fs - 10,000 Hz

Note : T/S Parameters measured on drive units that are broken in.

