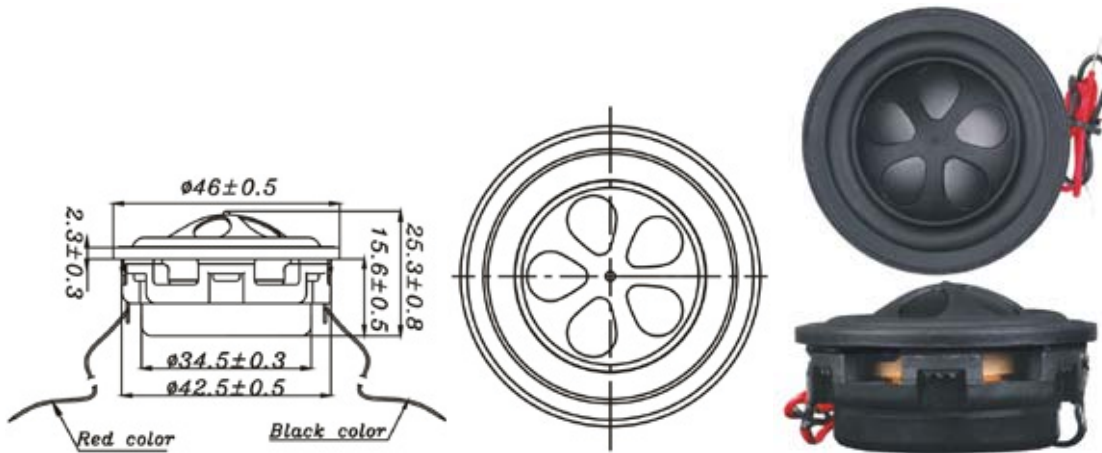


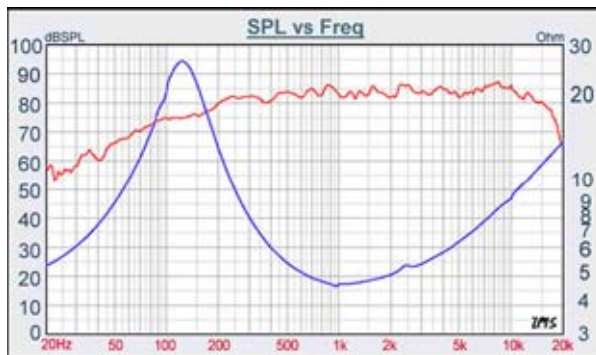
F SERIES

W1-1942S



1" PP CONE, FULL RANGE

- THE HIGHEST PERFORMANCE OF INNOVATIVE, TINY FULL RANGE DRIVER DESIGN
- OUTSIDE DIAMETER OF 46mm, Fo:120Hz
- PP CONE WITH SANTOPRENE SURROUND
- NEODYMIUM MOTOR SYSTEM
- PATENTED PRODUCT WITH EXCELLENT CONSISTENCY
- IT'S GOOD FOR MULTIMEDIA APPLICATION



DIAPHRAGM MTL	Mineral filled pp
SURROUND MTL	Santoprene
NOMINAL IMPEDANCE	4 Ω
DCR IMPEDANCE	3.5 Ω
SENSITIVITY 1W/1m	82 dB
FREQUENCY RESPONSE	120-20K Hz
FREE AIR RESONANCE	120 Hz
VOICE COIL DIAMETER	28 mm
AIR GAP HEIGHT	2.5 mm
RATED POWER INPUT	4 W
MAXIMUM POWER INPUT	8 W
FORCE FACTOR, BL	3.49 TM
MAGNET WEIGHT (oz)	Neodymium
MOVING MASS	1.25 g
FERRO FLUID ENHANCED	Yes
SUSPENSION COMPL.	1373 uMN ⁻¹
EFFEC.PISTON AREA	0.00090 M ²
Levc	0.046 mH
Zo	27 ohm
X-max	1.3 mm
Vas	0.158 Litr.
Qts	0.24
Qms	1.79
Qes	0.27



VOICE:886.2.26570282 FAX:886.2.26580166
E-MAIL :info@tb-speaker.com

CLOSE