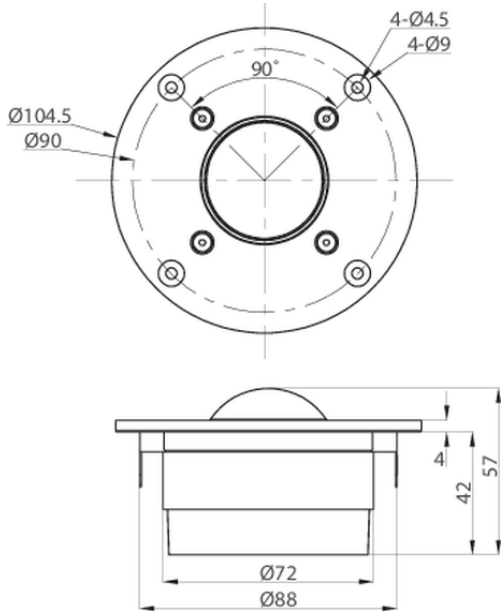


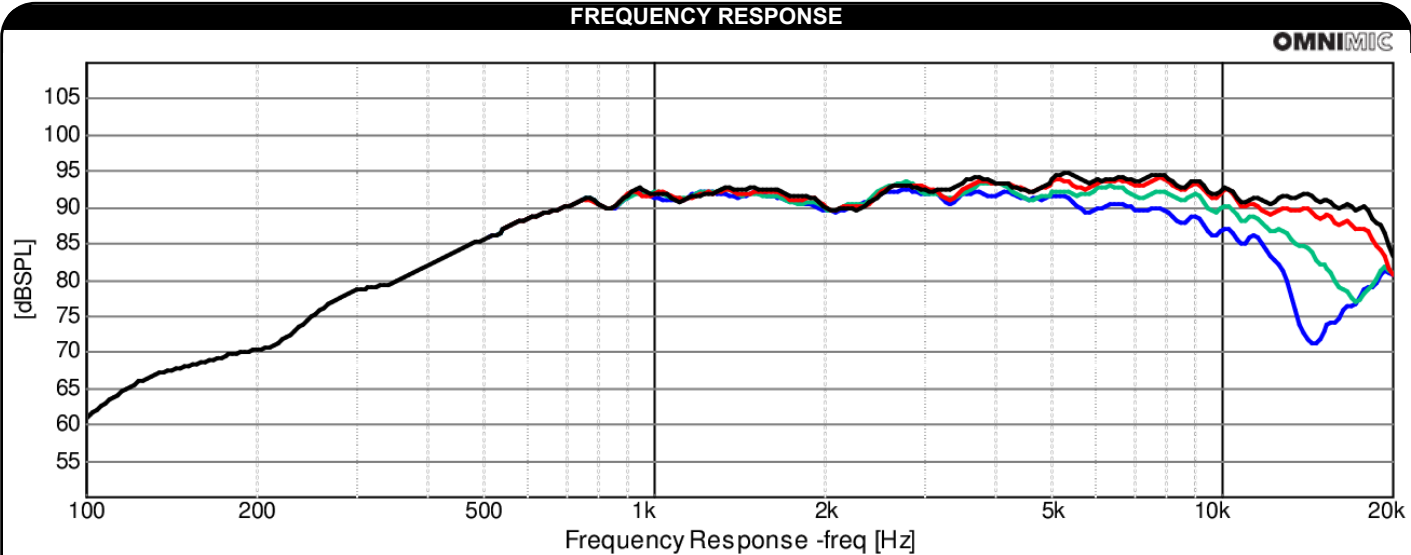
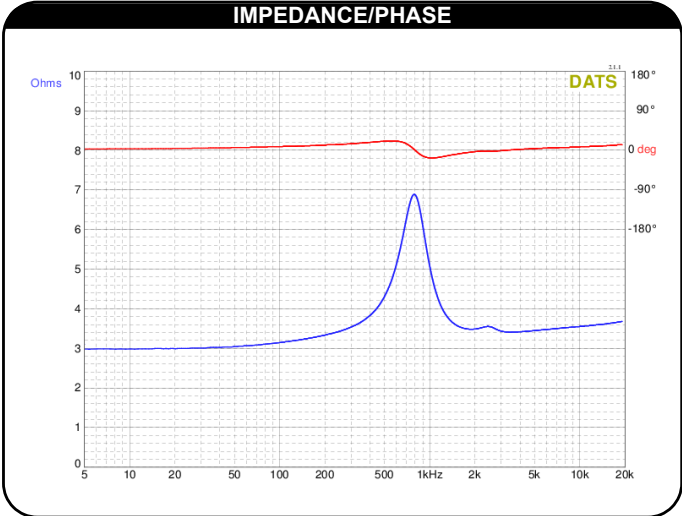


# RST28A-4 1-1/8" Reference Series Aluminum Dome Tweeter 4 Ohm



PARAMETERS	
Impedance	4 ohms
Re	3.0 ohms
Le	0.03 mH
Fs	775 Hz
Qms	2.15
Qes	1.65
Qts	0.93
Mms	N/A
Cms	N/A
Sd	6.6 cm <sup>2</sup>
Vd	N/A
BL	N/A
Vas	N/A
Xmax	N/A
VC Diameter	N/A
SPL	92.5 dB @ 2.83V/1m
RMS Power Handling	80 watts
Usable Frequency Range (Hz)	1,500 - 20,000 Hz

- ### FEATURES
- 1-1/8" aluminum diaphragm offers remarkable clarity without the typical harshness of metal domes
  - Exceptional efficiency at 92.5 ±3dB from 1.5 kHz to 19 kHz and a smooth frequency response
  - Well-designed phase bridge to balance the response in the upper octave
  - Tuned rear chamber and high-quality Ferrofluid for excellent low-end response
  - Low-distortion motor system achieves a rare level of transparency
  - Matches the performance of even the most expensive audiophile high-frequency transducers



OmniMic

Note: 1/24<sup>th</sup> octave smoothing - nearfield response included in graph below 450 Hz.

Black = 0°  
 Red = 15°  
 Green = 30°  
 Blue = 45°