

ADVANCED LOUDSPEAKERS

TRUE RIBBONS FOR THE TRUTH
NEVER EXPERIENCED BEFORE

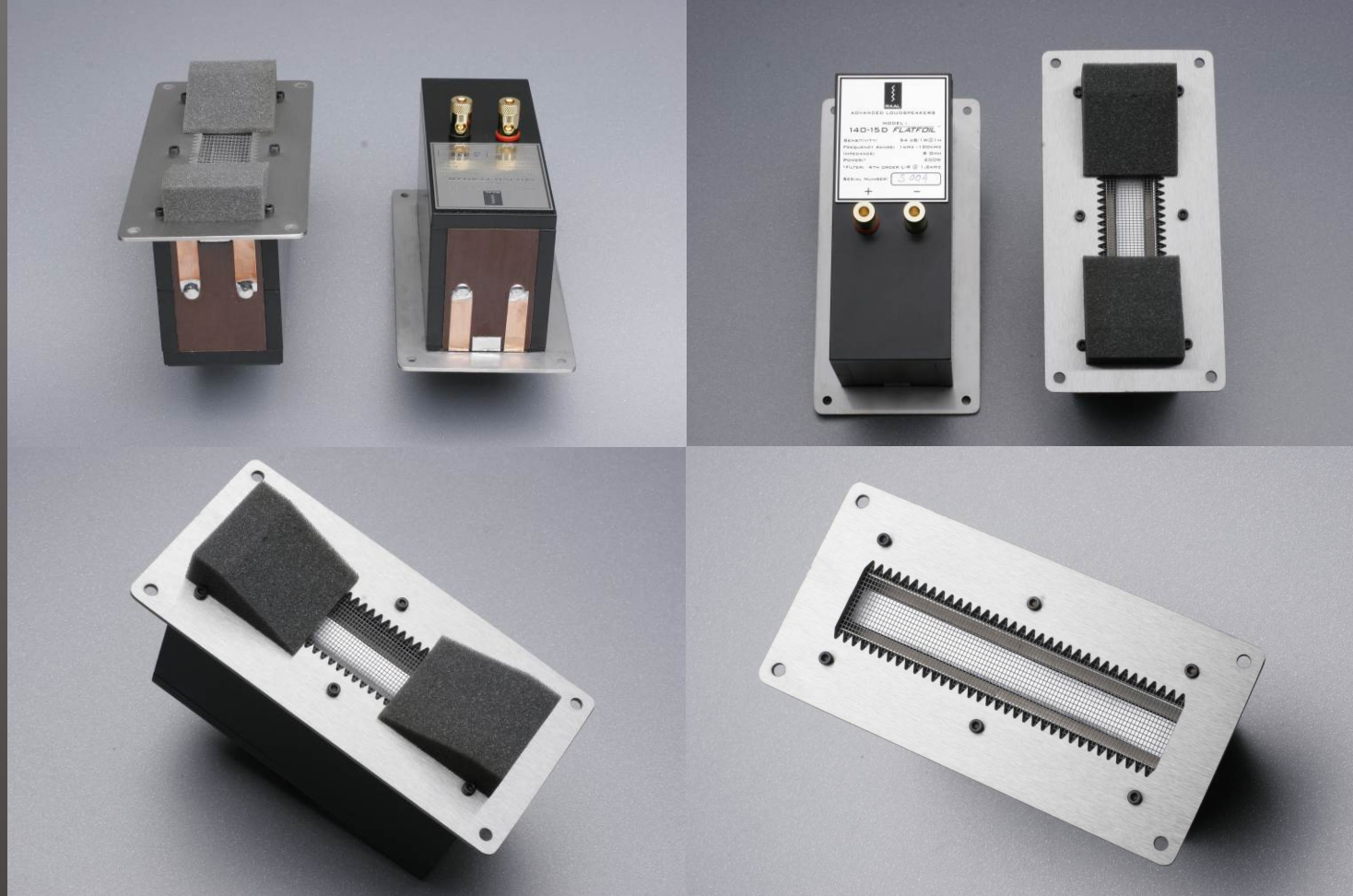
RAAL IS PROUD TO PRESENT THE PINNACLE OF CONTEMPORARY TRUE RIBBON TRANSDUCER DESIGN. IT DEFINES NEW LIMITS TO AN OLD CONCEPT. SUPERIOR IN SOUND QUALITY AND RELIABILITY, IT DEALS WITH EVERY TASK BY INCOMPARABLE DOMINANCE. THE UNCOMPRESSED REPRODUCTION OF THE SIGNAL DYNAMICS, IS WHAT MAKES IT BETTER THAN ANY CORRUGATED TRUE RIBBON DESIGN AND, STILL, IT HAS ONLY 4 MICROMETER ALUMINUM FOIL. NEW IDEAS, SCIENCE, ART AND EXPERIENCE, BROUGHT TOGETHER. PAINSTAKINGLY BRED BY CONNOISSEURS FOR THEIR OWN KIND.

MODEL

140-15D *FLATFOIL*[®]

FEATURES :

- SPECIAL *FLATFOIL*[®] PURE ALUMINIUM RIBBON
- SPECIAL *SYMMLEAD*[®] LOW INDUCTANCE SIGNAL PATH
- SPECIAL *EQUAFIELD*[®] NDFEB MAGNETIC STRUCTURE
- SPECIAL "NON-WAVE-GUIDE" INOX FRONT PLATE
- UNIQUE "DEFLECTOR PADS"
- EXCEPTIONAL VERTICAL DISPERSION
- SUPER-FAST SETTLING TIME
- FLAT FREQUENCY RESPONSE
- LOW DISTORTION
- HIGHEST RELIABILITY
- HIGH SIGNAL POWER HANDLING



RAAL

140-15D *FLATFOIL*®

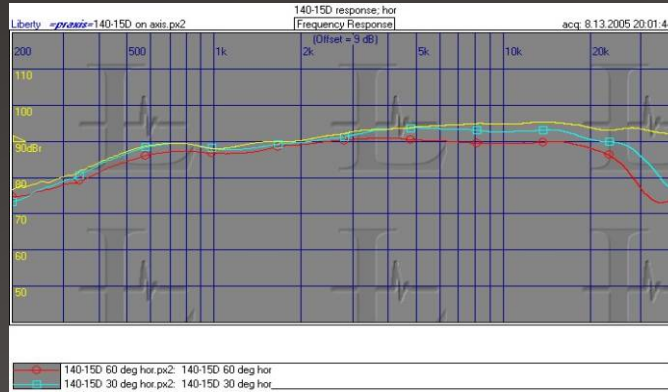
SPECIFICATIONS:

RIBBON MATERIAL:	ALUMINIUM
RIBBON DIMENSIONS:	(140 x 15 x 0.004) MM
RIBBON MASS:	0.022 G
RIBBON AREA:	21 CM SQ.
GAP INDUCTION:	0,51 T
FREQUENCY RESPONSE:	500 HZ ~ 100 KHZ
SENSITIVITY:	95 DB / 1M / 2,83 V
IMPEDANCE:	8 OHM
PROGRAM POWER HANDLING:	200 W*
*RECOMMENDED CROSSOVER:	4TH ORDER L-R @ 1600 HZ

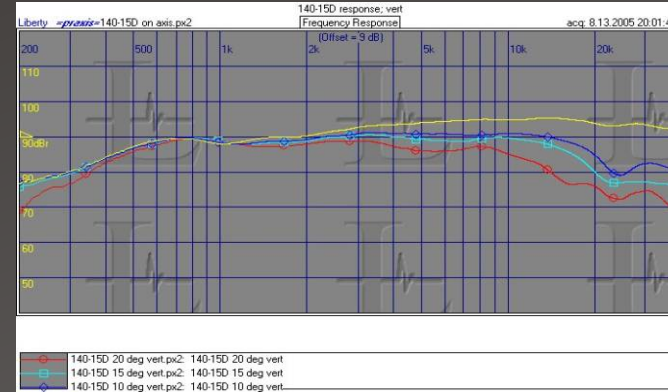
RAAL

140-15D *FLATFOIL*®

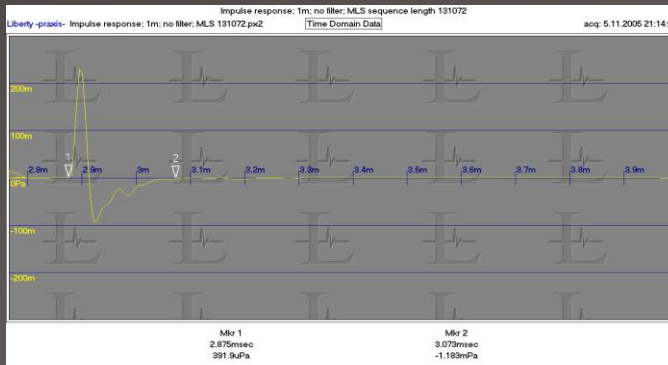
PERFORMANCE:



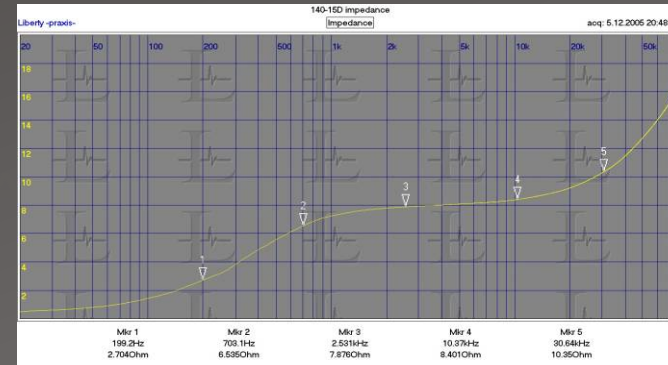
SPL vs FREQ. & HORIZONTAL DISPERSION



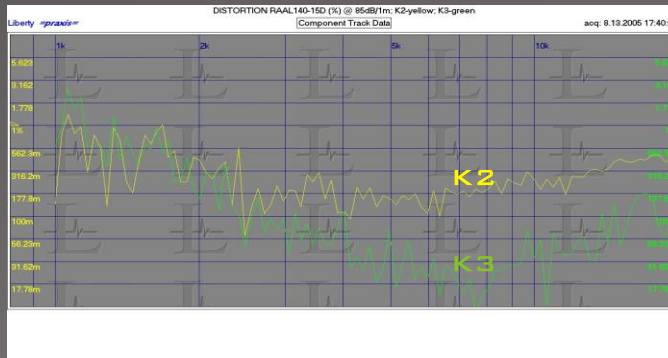
SPL vs FREQ. & VERTICAL DISPERSION



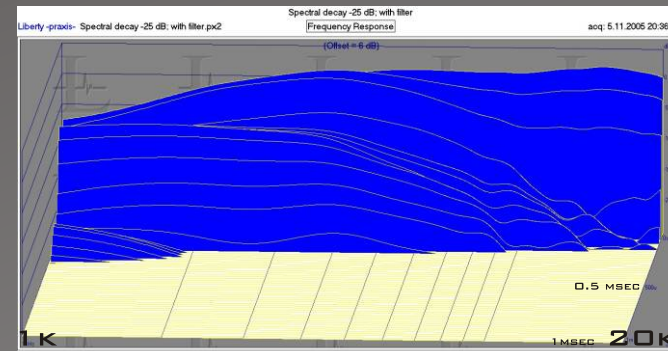
IMPULSE RESPONSE



IMPEDANCE



HARMONIC DISTORTION

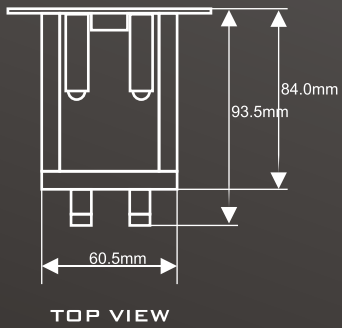
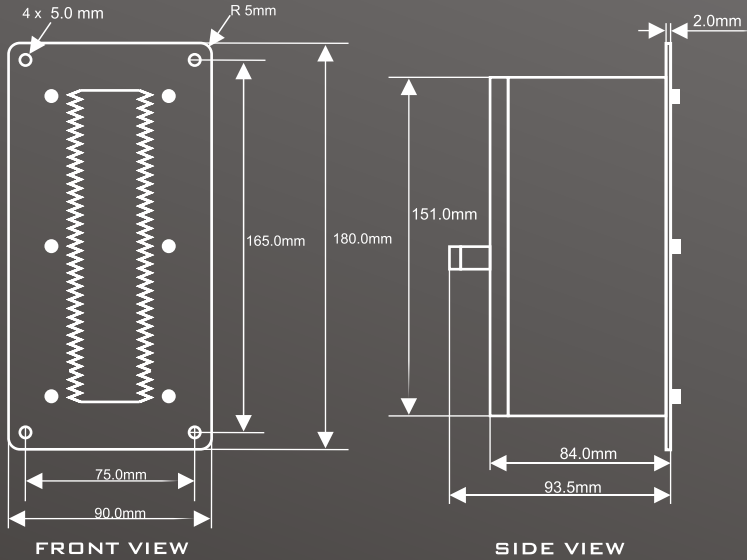


SPECTRAL DECAY

RAAL

140-15D *FLATFOIL*[®]

MECHANICAL DRAWING

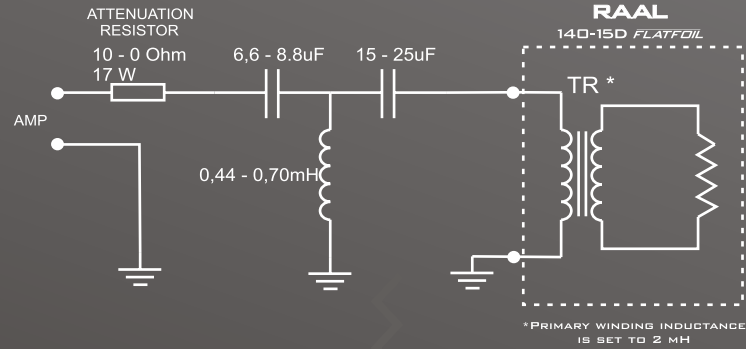


BAFFLE HOLE: 153 MM X 63 MM

WEIGHT: 2.7 KG

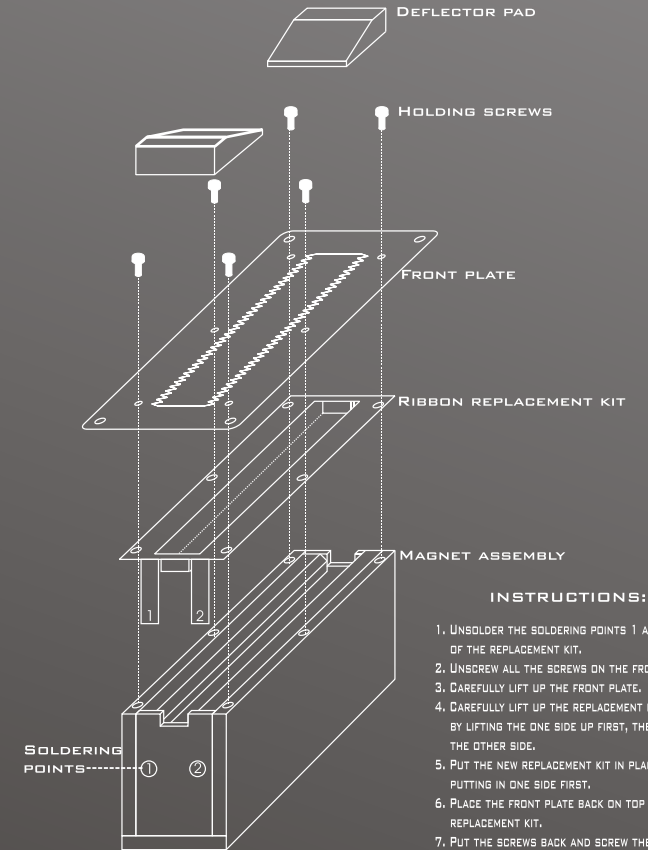
ALL DIMENSIONS +/- 0.3 MM

RECOMMENDED CROSSOVER NETWORK



THE EXACT VALUES SHOULD BE DETERMINED BY ACOUSTIC MEASUREMENTS WITH THE BASS-MID UNIT.

REPLACING THE RIBBON REPLACEMENT KIT ON RAAL RIBBON SPEAKERS



INSTRUCTIONS:

1. UNSOLDER THE SOLDERING POINTS 1 AND 2 OF THE REPLACEMENT KIT.
2. UNSCREW ALL THE SCREWS ON THE FRONT PLATE.
3. CAREFULLY LIFT UP THE FRONT PLATE.
4. CAREFULLY LIFT UP THE REPLACEMENT KIT, BY LIFTING THE ONE SIDE UP FIRST, THEN LIFT UP THE OTHER SIDE.
5. PUT THE NEW REPLACEMENT KIT IN PLACE BY PUTTING IN ONE SIDE FIRST.
6. PLACE THE FRONT PLATE BACK ON TOP OF THE REPLACEMENT KIT.
7. PUT THE SCREWS BACK AND SCREW THEM DOWN.



RAAL ADVANCED LOUDSPEAKERS D.O.O.

DJORDJA SIMEONOVICA 4
19000 ZAJECAR
SERBIA AND MONTENEGRO

TEL: +381 64 144 1111

LINK TO:
WWW.RAALRIBBON.COM