



22TAF/G H1283

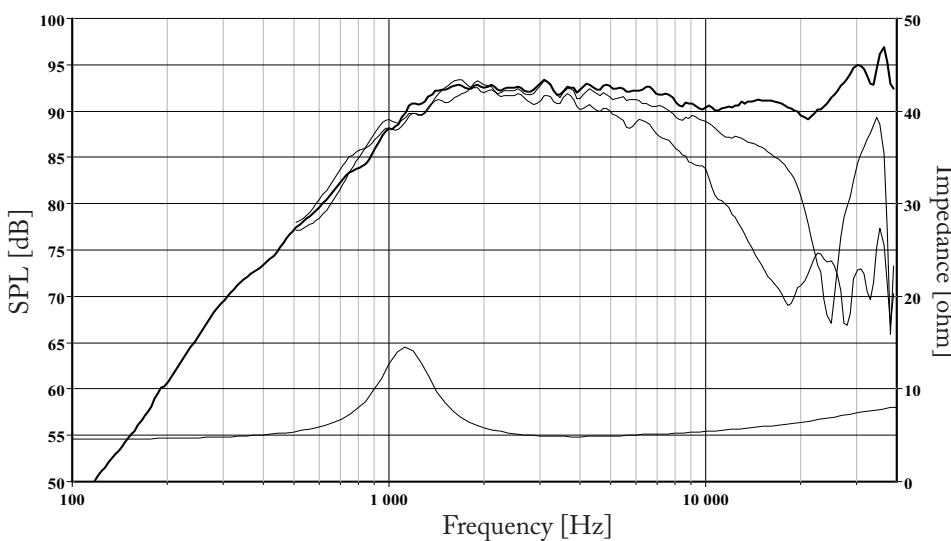
The 22TAF/G is a High Definition metal dome tweeter with wide, coated fabric surround.

The relatively small voice coil diameter and the wide surround combine the high frequency behaviour of a 3/4" dome with the low frequency characteristics of a 1" dome. A large ferrite magnet gives high efficiency.

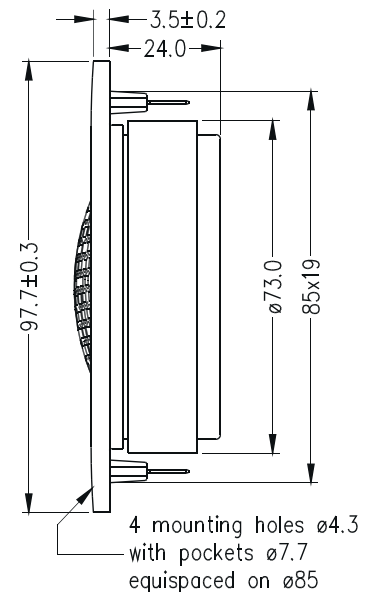
The dome is precision formed from an aluminum/magnesium alloy for low mass and high rigidity and stability. The precoated surround material gives high consistency and excellent stability against variations in air humidity. An acoustically open Hexagrid protects the dome diaphragm.

The voice coil is wound on an aluminum coil former with adequate venting holes to eliminate noise from internal air flow. The coil is immersed in a low viscosity magnetic fluid for high power handling capacity and simplified crossover design.

The chassis is moulded from a stiff and stable glass fibre reinforced polymer material, and its front design offers optimum radiation conditions.



The frequency responses above show measured free field sound pressure in 0, 30, and 60 degrees, mounted in a 0.6m by 0.8m baffle. Input 2.83 V_{RMS}, microphone distance 0.5m, normalized to SPL 1m. The impedance is measured without baffle using a 2V sine signal.



Nominal Impedance	6 Ohms	Voice Coil Resistance	4.9 Ohms
Recommended Frequency Range	2500 - 30000 Hz	Voice Coil Inductance	0.05 mH
Short Term Power Handling *	180 W	Force Factor	3.3 N/A
Long Term Power Handling *	80 W	Free Air Resonance	1100 Hz
Characteristic Sensitivity (2.83V, 1m)	92 dB	Moving Mass	0.23 g
Voice Coil Diameter	19.5 mm	Effective Piston Area	5.9 cm ²
Voice Coil Height	1.5 mm	Magnetic Gap Flux Density	2.0 T
Air Gap Height	2 mm	Magnet Weight	0.25 kg
Linear Coil Travel (p-p)	0.5 mm	Total Weight	0.5 kg