

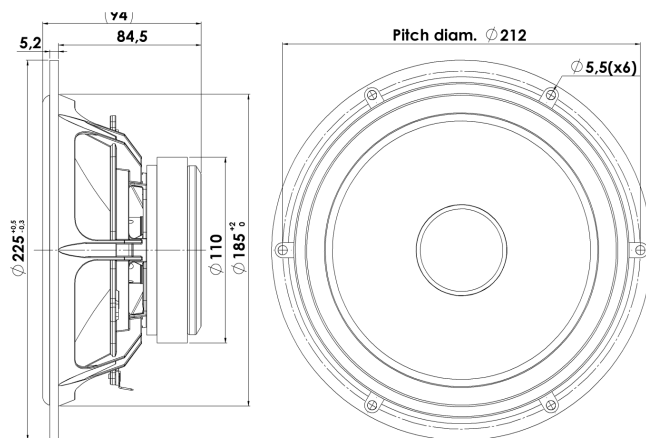


DISCOVERY

WOOFER

22W/8534G00

The Discovery series offer traditional design, superior sound, a solid construction, and a wide range of variants. Combining these elements - plus a wealth of technical features and finesses - it gives our customers the possibility of acquiring a tailor-made Scan-Speak solution with very good performance at a reasonable low price point!



KEY FEATURES:

- High Output 89dB @ 2,83V
- Coated NRSC Fibre Glass Cone
- Low Damping SBR Rubber Surround
- Low Resonance Freq. 30Hz
- Magnet System w. Alu Ring
- Die cast Alu Chassis vented below spider

T-S Parameters

Resonance frequency [fs]	30 Hz
Mechanical Q factor [Qms]	4.14
Electrical Q factor [Qes]	0.43
Total Q factor [Qts]	0.39
Force factor [Bl]	7.8 Tm
Mechanical resistance [Rms]	1.05 kg/s
Moving mass [Mms]	23.1 g
Suspension compliance [Cms]	1.22 mm/N
Effective diaph. diameter [D]	173 mm
Effective piston area [Sd]	235 cm ²
Equivalent volume [Vas]	94.2 l
Sensitivity (2.83V/1m)	88.8 dB
Ratio Bl/√Re	3.21 N/√W
Ratio fs/Qts	77 Hz

Notes:

IEC specs. refer to IEC 60268-5 third edition.
All Scan-Speak products are RoHS compliant.
Data are subject to change without notice.
Datasheet updated: February 22, 2011.

Electrical Data

Nominal impedance [Zn]	8 Ω
Minimum impedance [Zmin]	6.8 Ω
Maximum impedance [Zo]	62.7 Ω
DC resistance [Re]	5.9 Ω
Voice coil inductance [Le]	0.56 mH

Power Handling

100h RMS noise test (IEC 17.1)	70 W
Long-term max power (IEC 17.3)	120 W

Voice Coil and Magnet Data

Voice coil diameter	38 mm
Voice coil height	17.5 mm
Voice coil layers	2
Height of gap	6 mm
Linear excursion	± 5.8 mm
Max mech. excursion	± 12 mm
Unit weight	2.1 kg

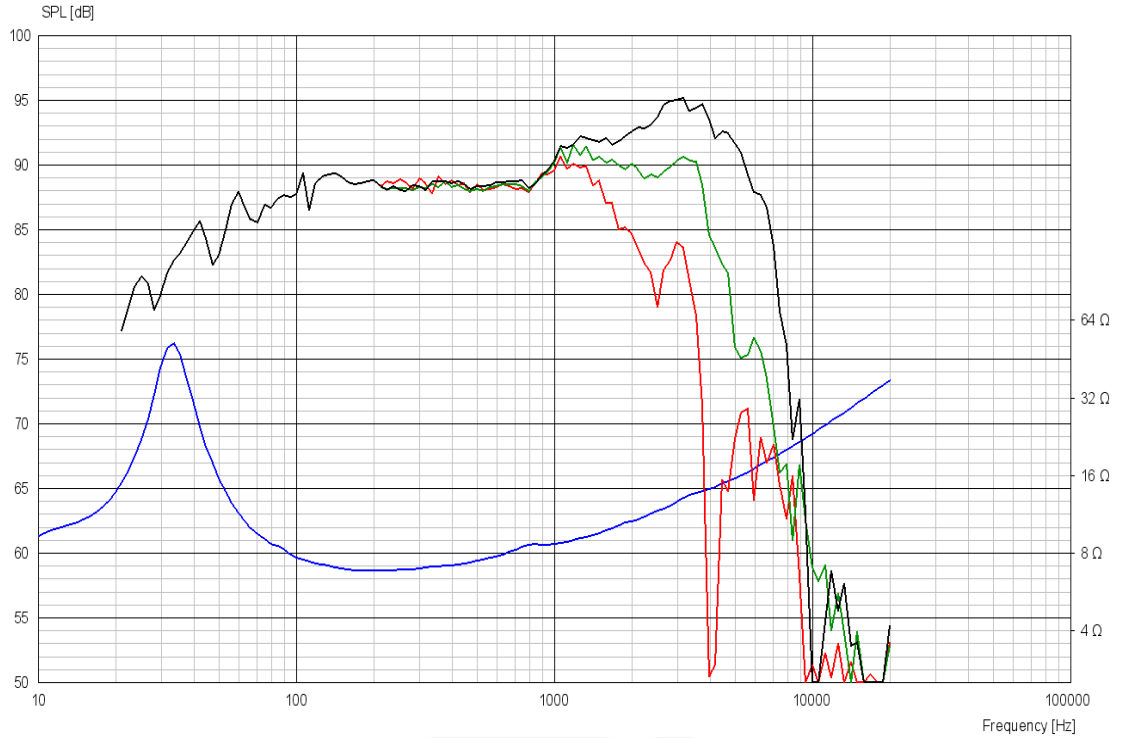
SCANSPEAK



DISCOVERY

WOOFER

22W/8534G00



Advanced Parameters (Preliminary)



Electrical data:

Resistance [Re']	- Ω
Free inductance [Leb]	- mH
Bound inductance [Le]	- mH
Semi-inductance [Ke]	- SH
Shunt resistance [Rss]	- Ω

Mechanical Data

Force Factor [Bl]	- Tm
Moving mass [Mms]	- g
Compliance [Cms]	- mm/N
Mechanical resistance [Rms]	- kg/s
Admittance [Ams]	- mm/N

