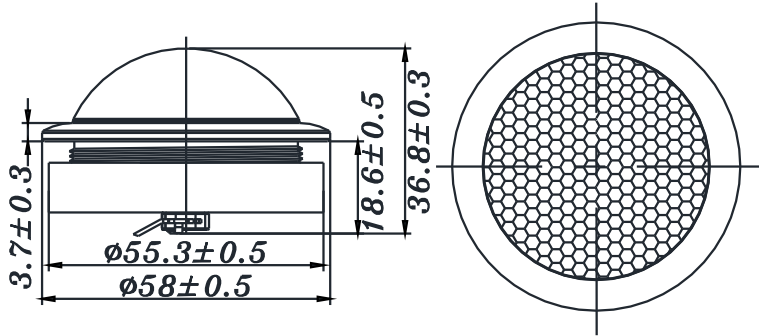


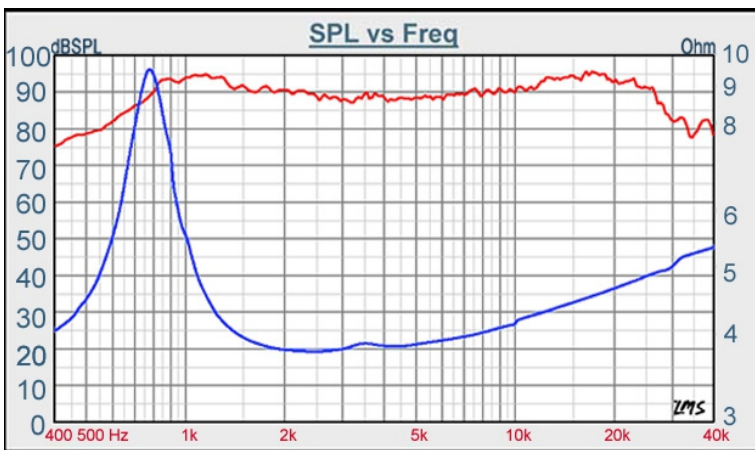
# TW SERIES

# 25-2176S



- SHORT RING, BACK CHAMBER DESIGN
- LOW 2<sup>nd</sup> AND 3<sup>rd</sup> DISTORTION (LOW THD)
- FREQUENCY RESPONSE OF 800Hz ~25KHz
- FERROFLUID COOLED
- MAGNETIC SHIELDED
- ALUMINUM SHELL DESIGN. GREAT HEAT TRANSFER

## 25mm FABRIC DOME TWEETER



DIAPHRAGM MTL	Fabric
SURROUND MTL	N/A
NOMINAL IMPEDANCE	4 Ω
DCR IMPEDANCE	3 Ω
SENSITIVITY 1W/1M	89 dB
FREQUENCY RESPONSE	800 - 25K Hz
FREE AIR RESONANCE	800 Hz
VOICE COIL DIAMETER	25.4 mm
AIR GAP HEIGHT	2 mm
RATED POWER INPUT	8 W
MAXIMUM POWER INPUT	80 W
FORCE FACTOR, BL	N/A
TYPE OF MAGNET	Neodymium
MOVING MASS	N/A
FERROFLUID ENHANCED	Yes
SUSPENSION COMPLIANCE	N/A
EFFECTIVE PISTON AREA	N/A
Levc	0.003 mH
Zo	9.5 Ω
Xmax	N/A
Vas	N/A
Qts	N/A
Qms	N/A
Qes	N/A



VOICE: 886.2.26570282 FAX: 886.2.26580166  
E-MAIL: info@tb-speaker.com