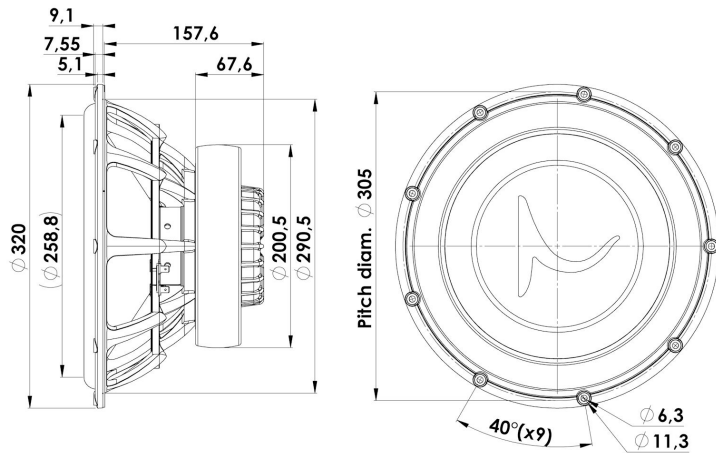




SUBWOOFER

32W/4878T05

The GOLD SERIES are specially selected units from Scan-Speak's well-known home audio speakers. Which have been upgraded and optimized for automotive use. This series enables audiophiles to experience in their vehicle the - TRUE TO LIVE - that they enjoy from their high-end home audio system.



KEY FEATURES:

- Paper sandwich cone with patented foam filling
- Patented Symmetrical Drive motor
- Large dustcap w. logo
- Extreme long linear excursion (+/-14mm)
- 3" Voice coil, Titanium former, paper reinforced
- Stiff robust die cast alu chassis

T-S Parameters

Resonance frequency [fs]	17 Hz
Mechanical Q factor [Qms]	7
Electrical Q factor [Qes]	0.33
Total Q factor [Qts]	0.32
Force factor [Bl]	12.5 Tm
Mechanical resistance [Rms]	2.42 kg/s
Moving mass [Mms]	165 g
Compliance [Cms]	0.52 mm/N
Effective diaph. diameter [D]	260 mm
Effective piston area [Sd]	526 cm ²
Equivalent volume [Vas]	180 l
Sensitivity (2.83V/1m)	89 dB
Ratio Bl/√Re	7.1 N/√W
Ratio fs/Qts	56.3 Hz

Notes:

IEC specs. refer to IEC 60268-5 third edition.
All Scan-Speak products are RoHS compliant.
Data are subject to change without notice.
Datasheet updated: March 8, 2017.

Electrical Data

Nominal impedance [Zn]	4 Ω
Minimum impedance [Zmin]	4 Ω
Maximum impedance [Zo]	69 Ω
DC resistance [Re]	3.1 Ω
Voice coil inductance [Le]	0.5 mH

Power Handling

100h RMS noise test (IEC 17.1)	200 W
Long-term max power (IEC 17.3)	550 W

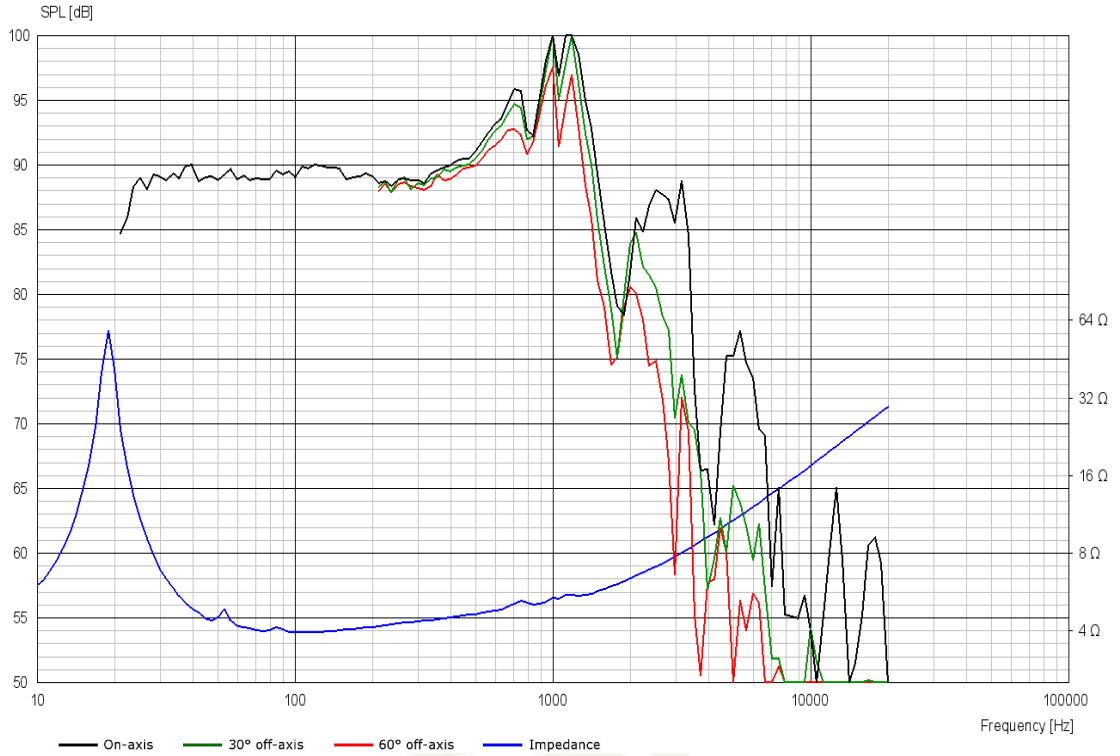
Voice Coil & Magnet Data

Voice coil diameter	75 mm
Voice coil height	36 mm
Voice coil layers	2
Height of gap	8 mm
Linear excursion	± 14 mm
Max mech. excursion	± 28 mm
Unit weight	7.5 kg



SUBWOOFER

32W/4878T05



Advanced Parameters (Preliminary)



Electrical data

Resistance [$R_{E'}$]	- Ω
Free inductance [L_{EB}]	- mH
Bound inductance [L_E]	- mH
Semi-inductance [K_E]	- SH
Shunt resistance [R_{SS}]	- Ω

Mechanical Data

Force Factor [BI]	- Tm
Moving mass [M_{MS}]	- g
Compliance [C_{MS}]	- mm/N
Mechanical resistance [R_{MS}]	- kg/s
Admittance [A_{MS}]	- mm/N