

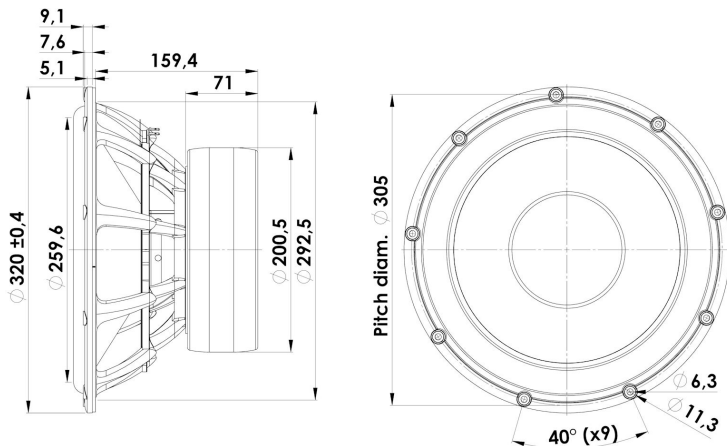


REVELATOR

WOOFER

32W/4878T11

The 32W/4878T11 woofer is optimized for high sensitivity applications. It offers an impressive 95 dB sensitivity at 2.83V/1m. It features a large 3" motor system with patented Symmetrical Drive, double ferrite magnets and a sandwich paper cone surrounded by a coated foam suspension.



KEY FEATURES:

- 95 dB Sensitivity @ 2,83V/1m
- Coated foam Surround
- Powerful motor with dual ferrite magnets
- Paper sandwich cone
- Patented Symmetrical Drive motor
- 3" Voice coil, Titanium former and paper reinforced

T-S Parameters

Resonance frequency [fs]	24 Hz
Mechanical Q factor [Qms]	4.25
Electrical Q factor [Qes]	0.22
Total Q factor [Qts]	0.21
Force factor [Bl]	14 Tm
Mechanical resistance [Rms]	3.3 kg/s
Moving mass [Mms]	93 g
Compliance [Cms]	0.47 mm/N
Effective diaph. diameter [D]	260 mm
Effective piston area [Sd]	526 cm ²
Equivalent volume [Vas]	185 l
Sensitivity (2.83V/1m)	95 dB
Ratio Bl/√Re	7.95 N/√W
Ratio fs/Qts	114 Hz

Notes:

IEC specs. refer to IEC 60268-5 third edition.
All Scan-Speak products are RoHS compliant.
Data are subject to change without notice.
Datasheet updated: March 8, 2019.

Electrical Data

Nominal impedance [Zn]	4 Ω
Minimum impedance [Zmin]	4 Ω
Maximum impedance [Zo]	68 Ω
DC resistance [Re]	3.1 Ω
Voice coil inductance [Le]	0.36 mH

Power Handling

100h RMS noise test (IEC 17.1)	350 W
Long-term max power (IEC 17.3)	700 W

Voice Coil & Magnet Data

Voice coil diameter	75 mm
Voice coil height	22 mm
Voice coil layers	2
Height of gap	8 mm
Linear excursion	± 7 mm
Max mech. excursion	± 28 mm
Unit weight	9.8 kg

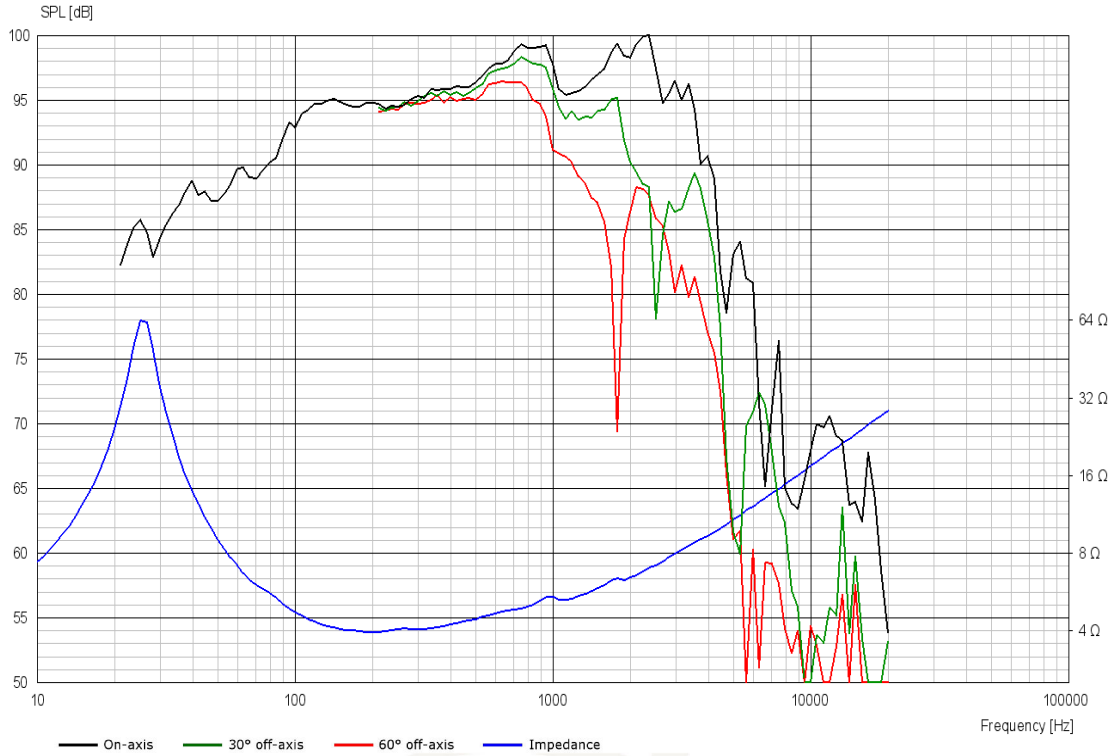




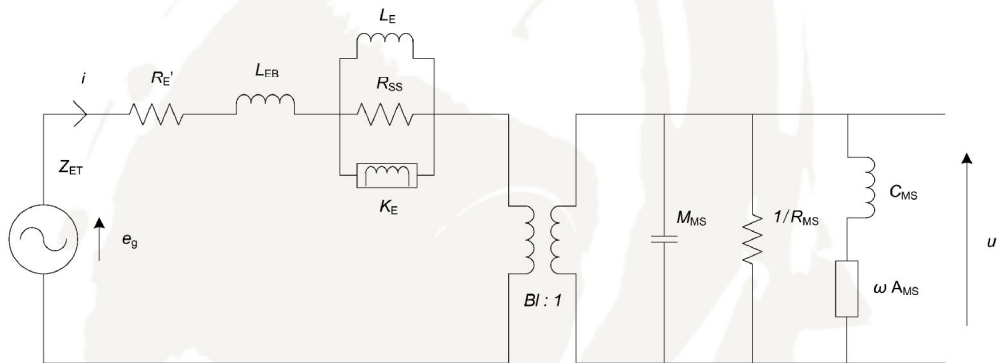
REVELATOR

WOOFER

32W/4878T11



Advanced Parameters (Preliminary)



Electrical data

Resistance [$R_{E'}$]	- Ω
Free inductance [L_{EB}]	- mH
Bound inductance [L_E]	- mH
Semi-inductance [K_E]	- SH
Shunt resistance [R_{SS}]	- Ω

Mechanical Data

Force Factor [BI]	- Tm
Moving mass [M_{MS}]	- g
Compliance [C_{MS}]	- mm/N
Mechanical resistance [R_{MS}]	- kg/s
Admittance [A_{MS}]	- mm/N

