



## Features

4" Bass-Midrange driver with midrange preference, 3-layer Hexacone Sandwich cone, fast and detailed reproduction, authentic staging, uncolored sound performance.

4" Tiefmitteltöner mit Mitteltonpräferenz, 3-schichtige Hexacone Sandwich-Membrane, schnelle detailreiche Wiedergabe, authentische Raumabbildung, neutrale Klangeigenschaften.

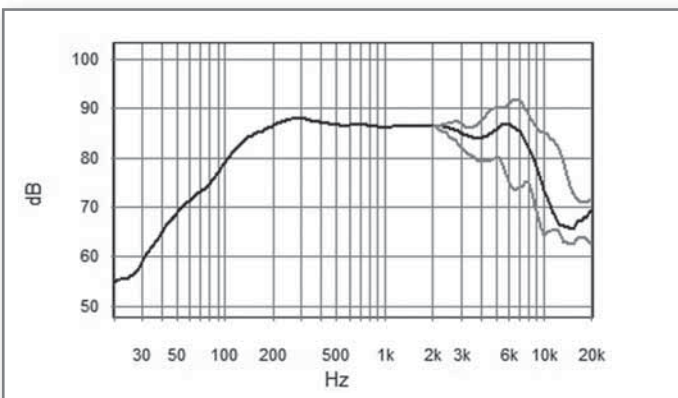
#1.1061.01

## Main technical data

Nominal impedance	$Z_n$	8	$\Omega$
DC resistance	$R_e$	6.0	$\Omega$
Resonance frequency 1W	$f_r$	77	Hz
Resonance frequency TSP	$f_r$	86	Hz
Suspension compliance	$C_{MS}$	0.57	mm/N
Mechanical Q	$Q_{ms}$	4.40	
Electrical Q	$Q_{es}$	0.51	
Total Q	$Q_{ts}$	0.46	
Mechanical resistance	$R_{MS}$	0.75	kg/s

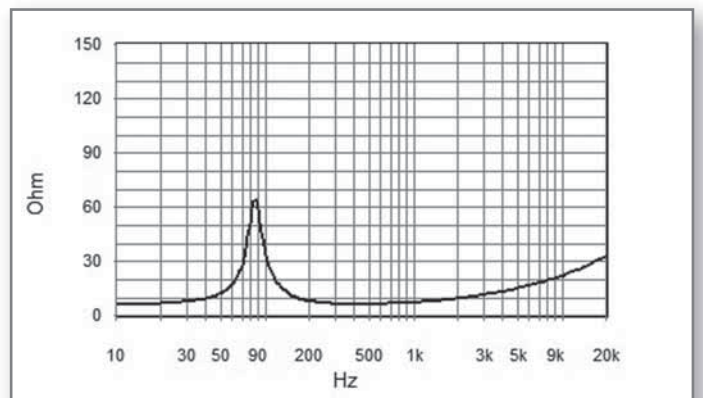
Total moving mass (incl. air mass)	$M_{MD}$	5.9	g
Effective piston area	$S_D$	55	cm <sup>2</sup>
Voice coil inductance	$L_e$	0.40	mH
Force factor	$B_L \times l$	6.3	Tm
Xmax electrical	+/-	2.0	mm
Xmax mechanical	+/-	5.5	mm
Equivalent air vol. of suspension	$V_{AS}$	2.0	dm <sup>3</sup>
Characteristic SPL 1 Watt/1m		88	dB SPL
Rated power		50	W

## Frequency response

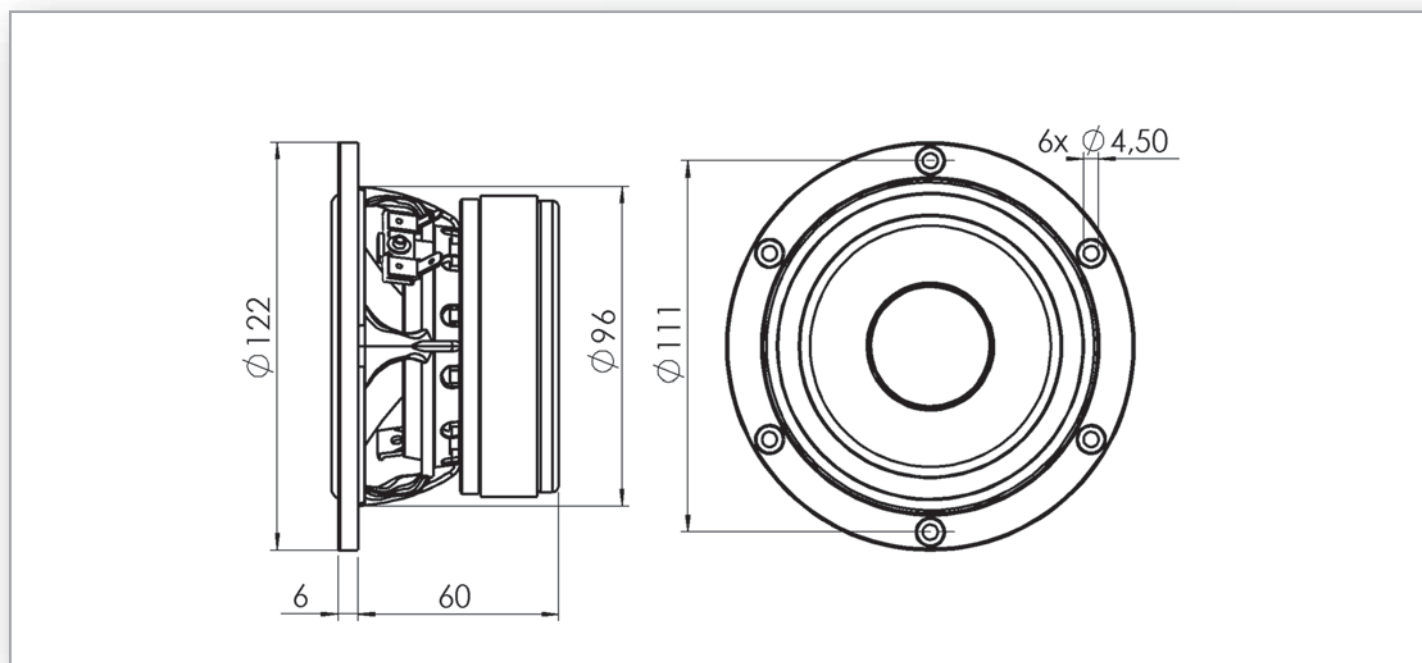


SPL 2,83 V/1m; black 30°, grey 0,60°  
Half space; endless baffle; enclosure 700 l

## Impedance



Measured free air without baffle



### Mechanical data

Overall diameter	122	mm
Cutout diameter	96	mm
Frame depth	6	mm
Overall depth	66	mm
Screw holes diameter	4.5/ 8	mm
Terminal	2.8/ 4.8	mm
Weight	1.20	kg

### Magnet

Flux density	1.15	T
Height of gap	6	mm
Material	Ferrite	
Dimension	90 x 36	mm
Height	17	mm
Motor type	Overhung	
Ferrofluid	no	

### Voice coil

Diameter	25	mm
Height	10	mm
Wire material	Cu	
Former material	Kapton	
Layers	2	

### Other data

Recommended frequency range	100-5400Hz
-----------------------------	------------