



Features

4" Bass-Midrange driver with midrange preference, Phase plug construction, 3-layer Hexacone Sandwich cone, spacial and open reproduction, uncolored sound performance.

4" Tiefmitteltöner mit Mitteltonpräferenz, offene Phase Plug Bauweise, 3-schichtige Hexacone Sandwich-Membrane, räumlich offene Wiedergabe, neutrale Klangeigenschaften.

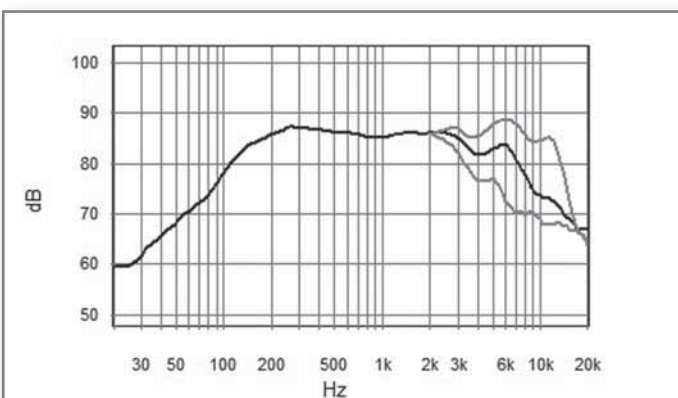
#1.1061.02

Main technical data

Nominal impedance	Z_n	8	Ω
DC resistance	R_e	6.0	Ω
Resonance frequency 1W	f_r	79	Hz
Resonance frequency TSP	f_r	89	Hz
Suspension compliance	C_{MS}	0.56	mm/N
Mechanical Q	Q_{ms}	4.57	
Electrical Q	Q_{es}	0.51	
Total Q	Q_{ts}	0.46	
Mechanical resistance	R_{MS}	0.71	kg/s

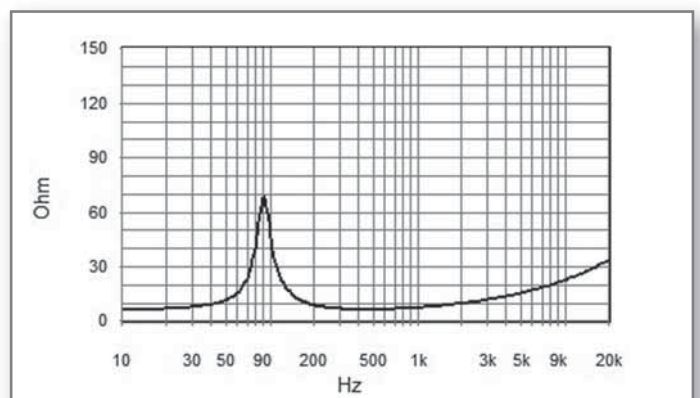
Total moving mass (incl. air mass)	M_{MD}	5.6	g
Effective piston area	S_D	55	cm ²
Voice coil inductance	L_e	0.37	mH
Force factor	$B_L \times l$	6.3	Tm
Xmax electrical	+/-	2.0	mm
Xmax mechanical	+/-	5.5	mm
Equivalent air vol. of suspension	V_{AS}	2.0	dm ³
Characteristic SPL 1 Watt/1m		88	dB SPL
Rated power		50	W

Frequency response

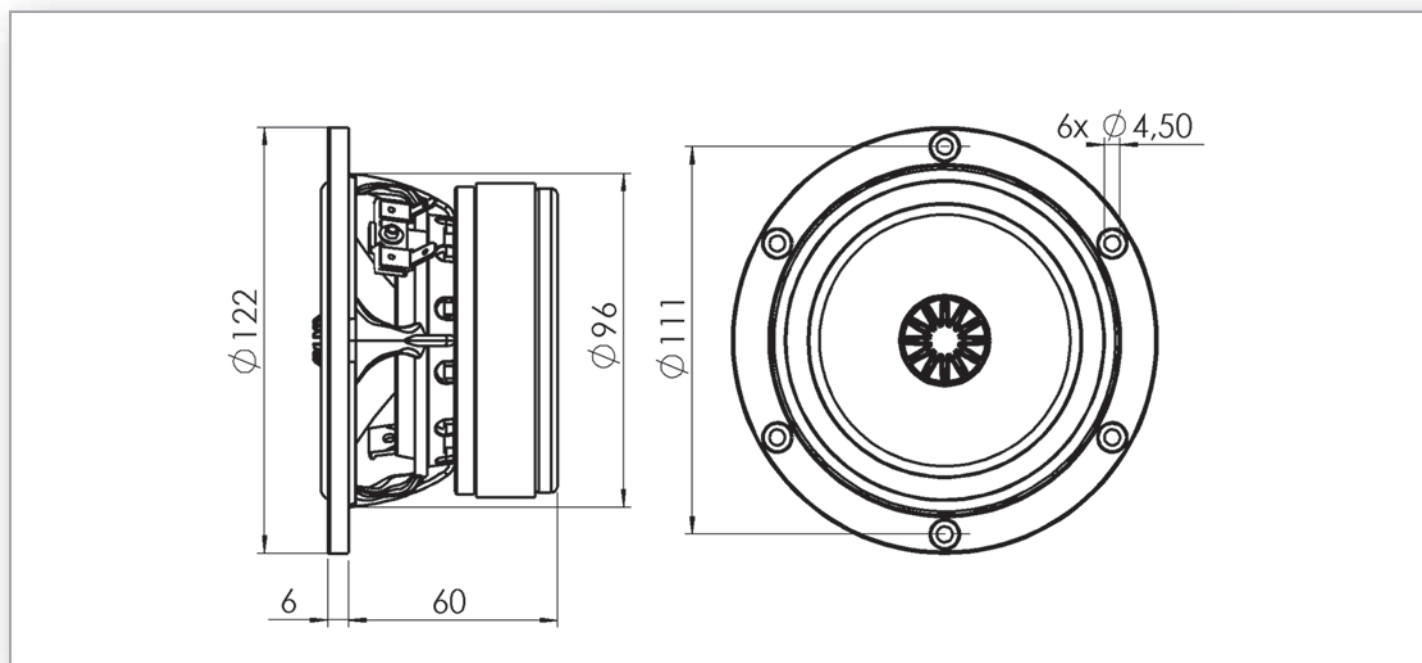


SPL 2,83 V/1m; black 30°, grey 0,60°
Half space; endless baffle; enclosure 700 l

Impedance



Measured free air without baffle



Mechanical data

Overall diameter	122	mm
Cutout diameter	96	mm
Frame depth	6	mm
Overall depth	66	mm
Screw holes diameter	4.5/ 8	mm
Terminal	2.8/ 4.8	mm
Weight	1.24	kg

Voice coil

Diameter	25	mm
Height	10	mm
Wire material	Cu	
Former material	Kapton	
Layers	2	

Magnet

Flux density	1.15	T
Height of gap	6	mm
Material	Ferrite	
Dimension	90 x 36	mm
Height	17	mm
Motor type	Overhung	
Ferrofluid	no	

Other data

Recommended frequency range	100-5400Hz
-----------------------------	------------