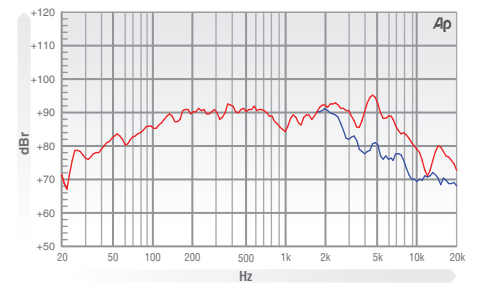




STUDIO 5FRK

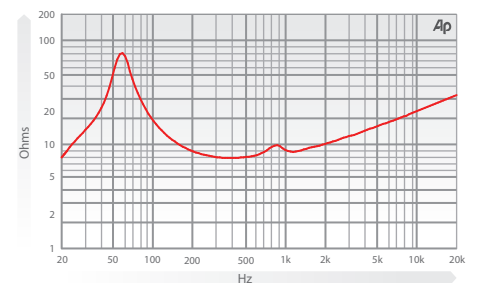
Exceptional efficiency, power handling and frequency coverage from compact dimensions. Primarily for full-range sound reinforcement and because of extended frequency response is also suited to multi-unit PA systems. Performance is optimised for full range singular / multiple use.

FREQUENCY RESPONSE DATA*

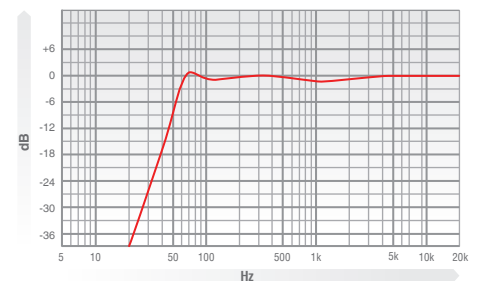


* Half space response measured in a 975 litre sealed box

IMPEDANCE



PREDICTED BASS RESPONSE



** Normalized bass response in 15 litre tuned to 65Hz

ELECTRO ACOUSTIC SPECIFICATIONS

Nominal Chassis Diameter	5"
Impedance	4,8,16 Ω
Power Handling	50 w (A.E.S.)
Peak Power (6dB Crest Factor)	200 w (A.E.S.)
Usable Frequency Range -6dB	65 Hz - 7 kHz
Sensitivity (1 w - 1 m)	90,5 dB
Moving Mass inc. Air Load	6.5 grams
Minimum Impedance Zmin	7.7 Ω
Effective Piston Diameter	4.2" / 106 mm
Peak Displacement Volume of Cone Vd	0.045 litres
Magnet Weight	18 oz
Magnetic Gap Depth	0.250" / 6.35 mm
Flux Density	1.42 Tesla
Coil Winding Height	0.315" / 8.0 mm
Voice Coil Diameter	1.0" / 25 mm

THIELE SMALL PARAMETERS

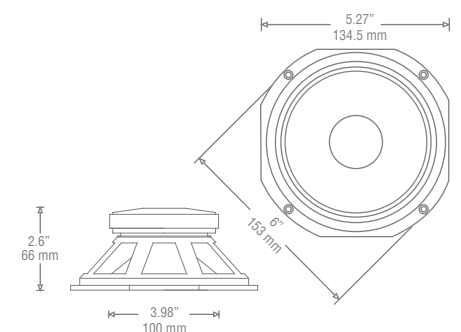
FS Hz	58 Hz
RE Ohms	6.2 Ω
Qms	7.5
Qes	0.38
Qts	0.36
Vas Ltr	10.9
Vd litres	0.022
CMS (mm/N)	0.953
BL T/m	6.85
Mms (grms)	7.9
Xmax (mm)	2.5
Sd (cm ²)	89.74
Efficiency %	0.6
Le (1k Hz)	0.882 mH

MATERIALS OF CONSTRUCTION

Former Material	Resin Bonded Glass Fibre
Voice Coil	Polyamid-Imide Coated Copper
Magnet Material	APS Ferrite
Chassis	Die-cast Aluminium
Cone	Paper
Surround / Edge Termination	Rubber Roll
Dust Dome	Linen
Connectors	0.125" Tab/Solder
Polarity	Positive Voltage at Red Terminal Causes forward motion of cone

MOUNTING / SHIPPING INFORMATION

Overall Diameter	6" / 152.4 mm
Width Across Flats	5.25" / 133.35 mm
Flange Height	0.270" / 6.9 mm
Baffle Hole Diameter F/M	4.63" / 117.5 mm
Baffle Hole Diameter R/M	4.50" / 114.3 mm
Gasket Supplied	Front & Rear
Fixing Holes	4x 0.218" / 5.5 dia x 5.468/138.8 PCD
Depth	2.63" / 67 mm
Weight	3.1 lb / 1.37 kg
Recommended Enclosure Volume	0.7 - 3.0 cu ft / 2 - 10 litres
Shipping Weight	3.1 lb / 1.37 kg
Packing Carton Dimensions	156 x 102 x 143 mm



- Please enquire about alternative impedances.
- A.E.S. power handling test. Pink noise bandpass filtered at 12 dB per octave with cutoff frequencies of 50 Hz and 500 Hz. Driver mounted in free air, test signal applied at rated power for two hours.
- Please note that the frequency response measurements are supplied for comparison only and are not a measure of the low frequency performance which may be achieved in a fully optimised system.