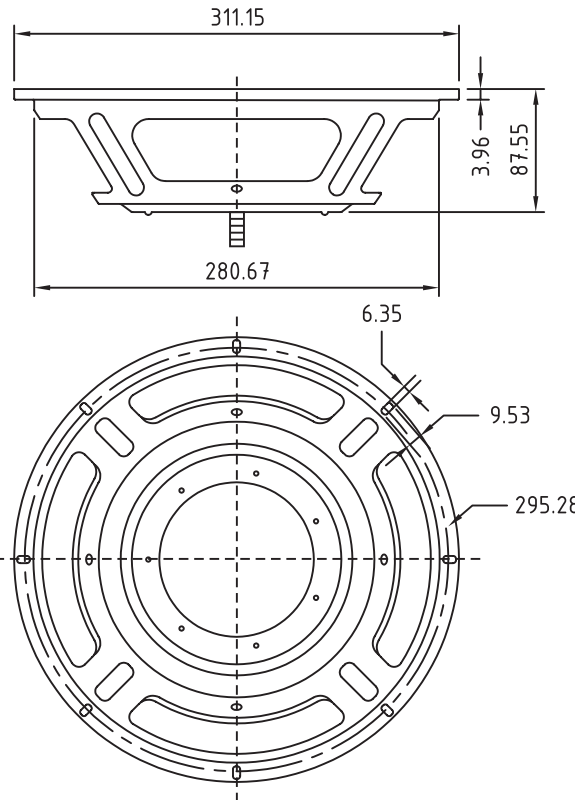


**Features**

- 12" Kevlar impregnated paper cone
- Large mechanical excursion
- Adjustable tuning
- Made in the USA

**Parameters**

Impedance ( $\Omega$ )	
Re ( $\Omega$ )	
Le (mH) @ 1 kHz	
Fs (Hz)	21.5
Qms	6.15
Qes	
Qts	
Mms (g)	145
Cms (mm/N)	0.38
Sd (cm <sup>2</sup> )	490.0
Vd (liters)	1078.0
BL (Tm)	
VAS (liters)	130.4
XMAX (mm)	22
VC Diameter (mm)	
SPL (dB@1W/1m)	
RMS Power Handling (w)	
Usable Frequency Range (Hz)	



Note: All dimensions in mm.

**Frequency Response**

N/A

Note: Due to testing limitations, response below 200 Hz is not an actual representation.

**Impedance/Phase**

N/A