

Model Number: PMT-30N18AL04-04  
 Product Line: Peerless Silver

Revision: Rev 4  
 Date: 2013-5-21

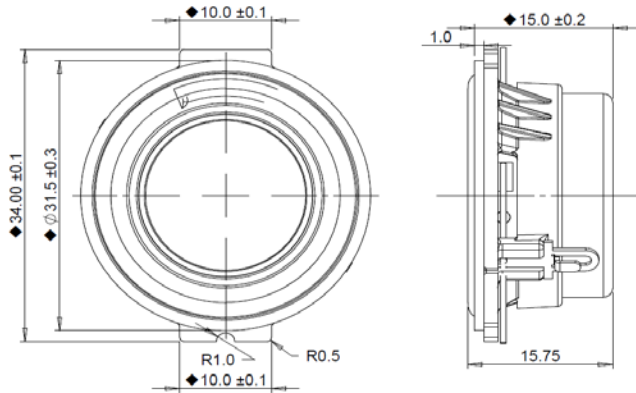


**Product Description:**

This 18 mm 4 Ω compact Premium Micro Transducer is designed for computer, television array, and similar applications. It features a neodymium-iron-boron magnet, a light aluminium cone, and a high-temperature polycarbonate frame. The PMT family's transducers feature low resonant frequencies and a full range bandwidth.



**Mechanical 2D Drawing:**



**Specifications:**

DC Resistance	$R_{DC}$	Ω	3.5	±7.5%	Energy Bandwidth Product	EBP	$(1/Q_{ms}) \cdot f_s$	262
Minimum Impedance	$Z_{min}$	Ω	3.9	±7.5%	Moving Mass	$M_{ms}$	g	0.51
Voice Coil Inductance	$L_b$	mH	0.04		Suspension Compliance	$C_{ms}$	um/N	802.3
Resonant Frequency	$f_s$	Hz	250	±15%	Effective Cone Diameter	D	cm	2.5
Mechanical Q Factor	$Q_{ms}$	-	1.7		Effective Piston Area	$S_D$	cm <sup>2</sup>	4.9
Electrical Q Factor	$Q_{es}$	-	0.95		Equivalent Volume	$V_{as}$	L	0.027
Total Q Factor	$Q_t$	-	0.61		Motor Force Factor	BL	T-m	1.72
Ratio $f_s / Q_{ts}$	F	$f_s / Q_{ts}$	409		Motor Efficiency Factor	$\beta$	$(T \cdot m^2) / \Omega$	0.83
Half Space Sensitivity @ 2.83V	dB@2.83V/1m	dB	81.6	±1.0 <sup>1</sup>	Voice Coil Former Material	VC <sub>m</sub>	-	KSV
Sensitivity @ 1W/1m	1W/1m	dB	78.0	±1.0 <sup>1</sup>	Voice Coil Inner Diameter	VC <sub>d</sub>	mm	18.00
Rated Noise Power (IEC 2685 18.1)	P	W	1.50		Gap Height	Gh	mm	1.50
Test Spectrum Bandwidth	250Hz-20KHz	12 dB/Oct			Maximum Linear Excursion	$X_{max}$	mm	1.05
					Ferrofluid Type	FF	-	APG834
					Transducer Size	-	-	18 mm
					Transducer Mass	-	Kg	0.029

1 - Piston Band Sensitivity Tolerance

**Frequency and Impedance Response:**

