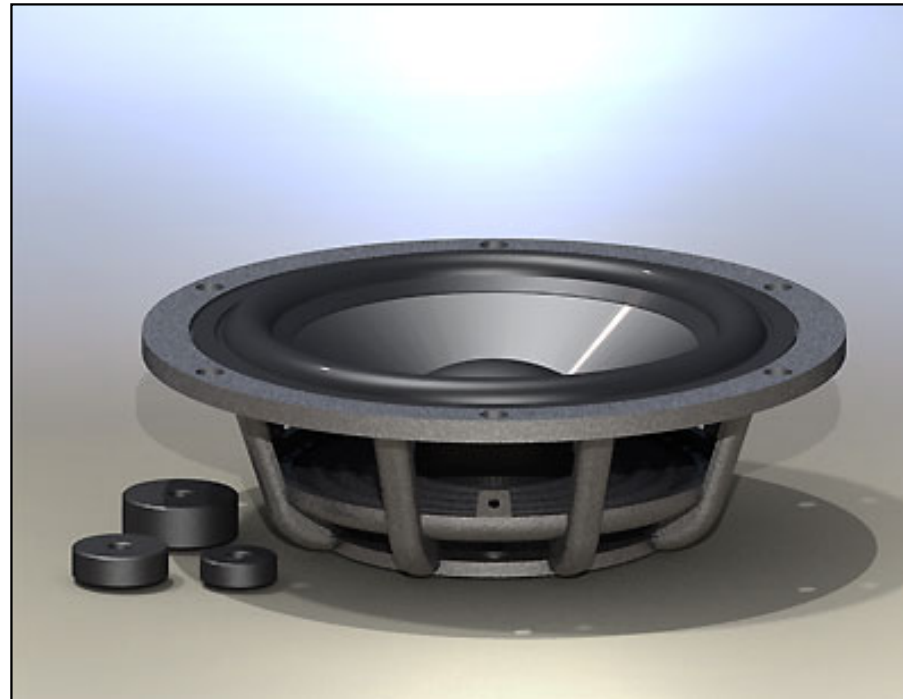


- Home
- Newsletter
- Contact us
- How to buy
- OEM systems

PR182BD01 7" die cast, alu cone passive radiator

The 7" passive radiator PR182BD01 was designed specifically for high performance compact subwoofer applications. Optimized for working with the active 7" subwoofer SW182BD01 but will function well with any suitable active subwoofer transducers.

[Specifications](#)
[Dimensions](#)
[Ordering info](#)



FEATURES

- Very rigid black aluminium cone to ensure piston motion at high levels
- Rigid die cast alu chassis with extensive venting for lower air flow speed reducing audible distortion
- Low-loss suspension (high Qm) for better reproduction of details and dynamics
- Conex spider for better durability under extreme conditions
- Customs tunable by adding one or more of the three extra weights (included)

NOMINAL SPECIFICATIONS

MORE INFO



PDF data sheet
(XXXKB)

[All Wavecor subwoofers](#)

[All Wavecor drive units](#)

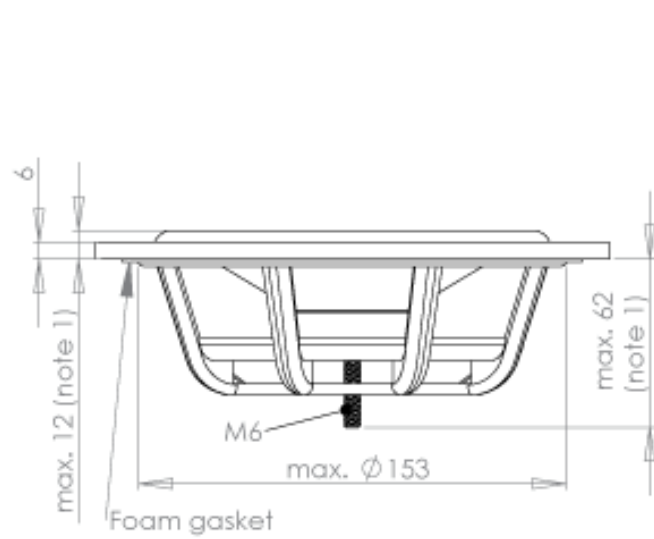
Notes	Parameter	Before burn-in	After burn-in	Unit
	Nominal size	7		[inch.]
	Effective radiating area, S_d	131		[sq.cm]
1	Resonance frequency (free air, no baffle), F_s - without additional mass - with additional 5g mass - with additional 10g mass - with additional 15g mass - with additional 20 g mass - with additional 25g mass - with additional 30g mass - with additional 35g mass	13.2 12.8 12.4 12.0 11.7 11.4 11.1 10.9	10 9.7 9.4 9.1 8.9 8.7 8.4 8.2	[Hz]
2	Moving mass, incl. air (free air, no baffle), M_{ms} , without extra weights	72		[g]
1	Suspension compliance, C_{ms}	2.0	3.5	[mm/N]
1	Equivalent air volume, V_{as}	49	85	[lit.]
1	Mechanical Q, Q_{ms} (without additional mass)	12	9	[-]
	Total unit net weight excl. packaging (incl. 3 extra weights)	0.40		[kg]

Note 1 The unit is not burned in before shipping.

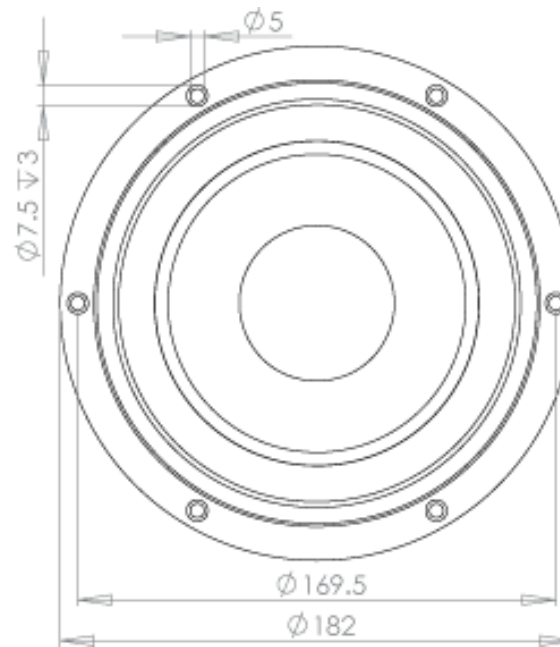
Note 2 The moving mass may be increased in 5 g steps up to a maximum of +35 g by adding one or more of the three extra weights that are included with the driver.

OUTLINE DRAWING AND NOMINAL DIMENSIONS (mm)





Note 1: Cone in rest position



PACKAGING AND ORDERING INFORMATION

Part no. PR182BD01-01	Individual packaging (one piece per box), incl. 3 separate weights
Part no. PR182BD01-02	Bulk packaging, incl. 3 separate weights

Specifications are subject to change without any further notice.
 Copyright © 2006-2009 by Wavecor Ltd., Guangzhou, China. All rights reserved.