

# PR223BD01 8¾" die cast, alu cone passive radiator

The 8¾" passive radiator PR223BD01 was designed for high performance compact subwoofer applications. Optimized for working with the active 8¾" subwoofer SW223BD01 but will function well with any suitable active subwoofer transducers.



[Specifications](#)  
[Dimensions](#)  
[Ordering info](#)

## FEATURES

- Very rigid black aluminium cone to ensure piston motion at high levels
- Rigid die cast alu chassis with extensive venting for lower air flow speed reducing audible distortion
- Low-loss suspension (high Qm) for better reproduction of details and dynamics
- Conex spider for better durability under extreme conditions
- Custom tunable by adding one or more of the three extra weights (included)

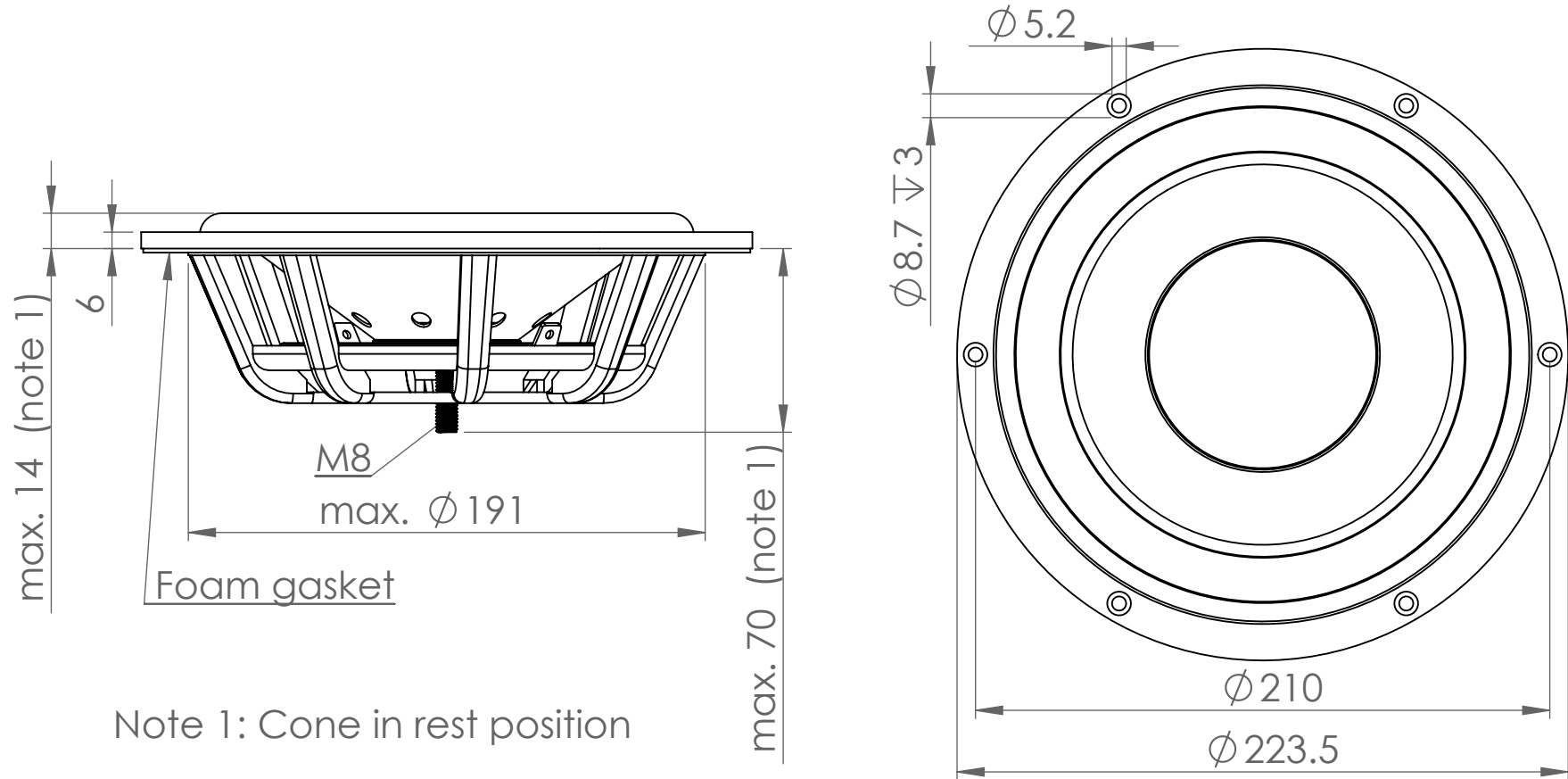
## NOMINAL SPECIFICATIONS

Notes	Parameter	Before burn-in	After burn-in	Unit
	Nominal size	8¾"		[inch.]
	Effective radiating area, $S_d$	214		[sq.cm]
1	Resonance frequency (free air, no baffle), $F_s$ - without additional mass - with additional 25g mass - with additional 50g mass - with additional 75g mass - with additional 100 g mass - with additional 125g mass - with additional 150g mass - with additional 175g mass	20 18.6 17.5 16.6 15.8 15.1 14.5 13.9		[Hz]
2	Moving mass, incl. air (free air, no baffle), $M_{ms}$ , without extra weights	165		[g]
1	Suspension compliance, $C_{ms}$	0.38		[mm/N]
1	Equivalent air volume, $V_{as}$	25		[lit.]
1	Mechanical Q, $Q_{ms}$ - without additional mass - with additional 25g mass - with additional 50g mass	14.5 15.6 16.6		
1	Mechanical Q, $Q_{ms}$ - without additional mass - with additional 25g mass - with additional 50g mass - with additional 75g mass - with additional 100 g mass - with additional 125g mass - with additional 150g mass - with additional 175g mass	14.5 15.6 16.6 17.5 18.4 19.2 20.0 20.8		[-]
	Total unit net weight excl. packaging (incl. 3 extra weights)			[kg]

Note 1 The unit is not burned in before shipping.

Note 2 The moving mass may be increased in 25 g steps up to a maximum of +175 g by adding one or more of the three extra weights that are included with the driver.

PR223BD01 outline drawing and nominal dimensions



Note 1: Cone in rest position