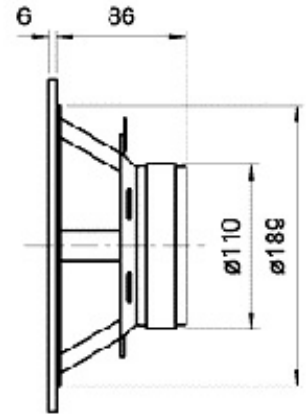
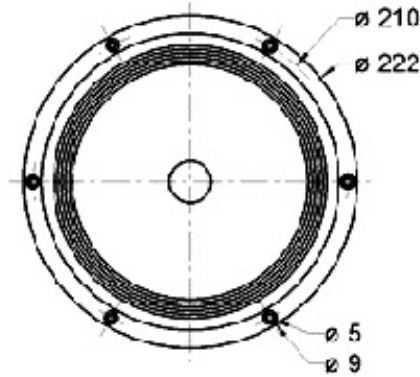


Sensitivity (2.83v/1m)	96 dB
Frequency range	40 Hz - 18KHz
Free air resonance, fs	40 Hz
DC resistance, Re	5.0 Ohms
Voice coil inductance, Le	0.5 mH
Moving mass, md	9.7 g
Force factor, Bl	1.2 Telsa
Equivalent volume, Vas	102 Ltrs
Mechanical Q-factor, Qms	8.39
Electrical Q-factor, Qes	.83
Total Q-factor, Qts	.75
X-max	+/- 3.5 mm
Voice coil diameter	25mm
Rated power handling	40 W
Net weight	2.16 Kg



B 200
26.03.03



Zerfallsdiagramm B 200
Messbox 1m / 2.83 V

