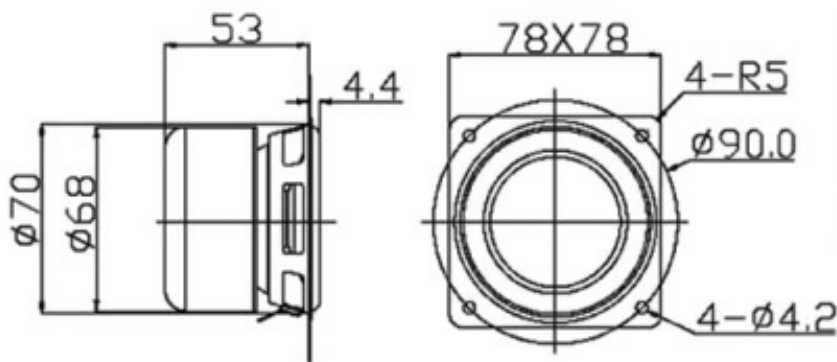


# B3S



B3S	
Nominal Impedance (Z)(Ω) :	8
Resonance Frequency (Fs) (Hz) :	80
Nominal Power Handling (Pnom)(W) :	15
Sensitivity (2.83v/1m)(dB) :	80
Weight (M)(Kg) :	0.53
VC Diameter (mm) :	20 CCAW
DC (Re)(Ω) :	6.5
VC Length (H)(mm) :	9
VC Former :	Kapton
VC Layers :	2
Magnet System :	Shielded Ferrite
Force Factor (BL)(TM) :	2.9
Gap Height (He)(mm) :	3.0
Linear Excursion (Xmax)(mm) :	3.0
Suspension Compliance (Cms)(uM/N) :	1260
Mechanical Q (Qms) :	4.29
Electrical Q (Qes) :	1.19
Total Q (Qts) :	0.93
Moving Mass (Mms)(g) :	3.1
Effective Piston Area (Sd)(m2) :	0.0030
Equivalent Air Volume (Vas)(L) :	1.6
Sealed Box :	Vb=2L F-3=80Hz

