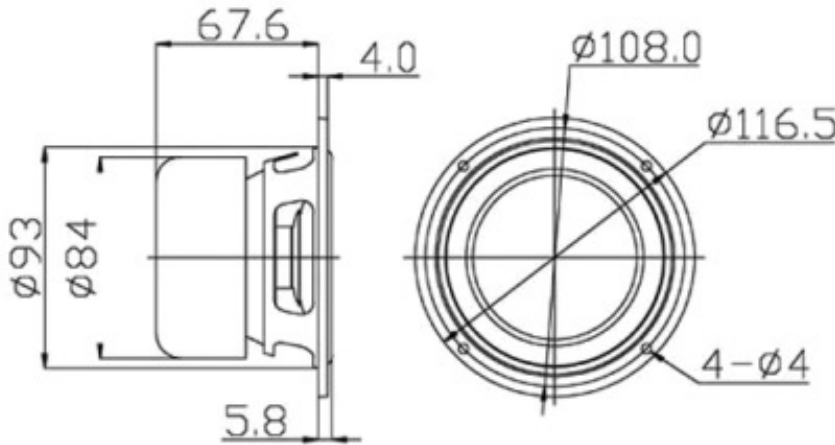


# B4N



B4N	
Nominal Impedance (Z) (Ω) :	8
Resonance Frequency (Fs)(Hz) :	56
Nominal Power Handling (Pnom)(W) :	25
Sensitivity (2.83w/1m) (dB) :	85
Weight (M)(Kg) :	0.9
VC Diameter (mm) :	25 SV
DC (Re)(Ω) :	6.5
VC Length (H)(mm) :	10.4
VC Former :	Kapton
VC Layers :	2
Magnet System :	Shielded Ferrite
Force Factor (BL)(TM) :	5.1
Gap Height (He)(mm) :	4.0
Linear Excursion (Xmax) (mm) :	3.2
Suspension Compliance (Cms)(uMN) :	1114.1
Mechanical Q (Qms) :	3.91
Electrical Q (Qes) :	0.63
Total Q (Qts) :	0.52
Moving Mass (Mms)(g) :	6.8
Effective Piston Area (Sd) (m2) :	0.0053
Equivalent Air Volume (Vas)(L) :	4.5
Vented Box :	Vb=5L, Fb=50Hz F-3=50Hz

