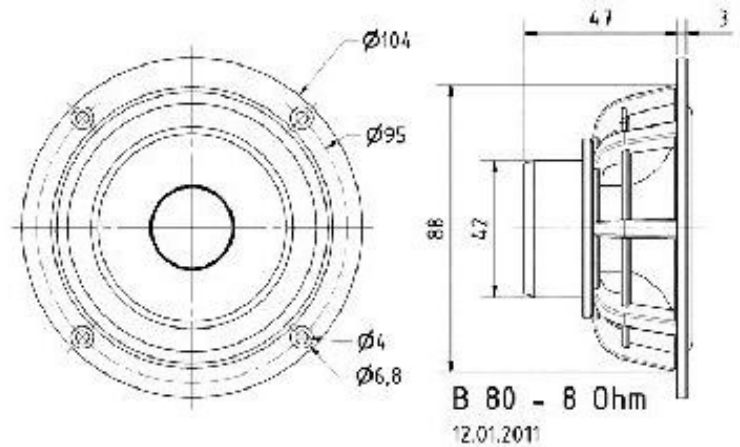


Technical Data:

Cm	0,87 mm/N
Rated power	30 W
Maximum power	50 W
Nominal impedance Z	8 Ohm
Frequency response	80–20000 Hz
Mean sound pressure level	85 dB (1 W/1 m)
Opening angle (-6 dB)	119°/4000 Hz
Maximum linear displacement	2,2 mm
Resonance frequency fs	110 Hz
Magnetic induction	1,17 T
Magnetic flux	290 μWb
Height of front pole-plate	3 mm
Voice coil diameter	25 mm
Height of winding	7,5 mm
Cutout diameter	89 mm
Net weight	0,32 kg
D.C. resistance Rdc	6,6 Ohm
Mechanical Q factor Qms	6,53
Electrical Q factor Qes	0,69
Total Q factor Qts	0,63
Equivalent volume Vas	1,8 l
Effective piston area Sd	38,5 cm ²
Dynamically moved mass Mms	2,8 g
Force factor Bxl	4,15 Tm
Connections	4,8 x 0,8 mm (+) 2,8 x 0,8 mm (-)



VISATON B 80

Frequenzgang (1W/1m) und Impedanzverlauf

