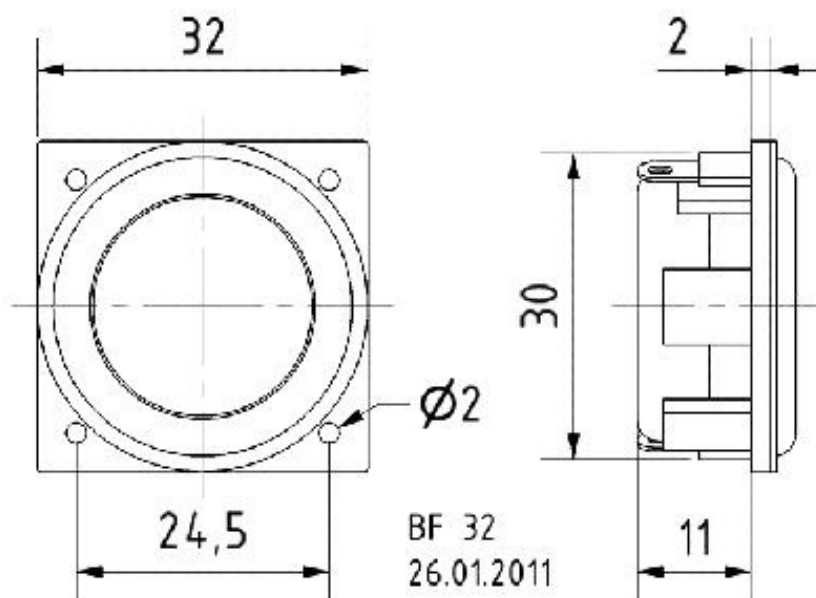


**Technical Data:**

Rated power	2 W
Maximum power	5 W
Nominal impedance Z	8 Ohm
Frequency response	150–20000 Hz
Mean sound pressure level	78 dB (1 W/1 m)
Resonance frequency fs	220 Hz
Voice coil diameter	20 mm
Net weight	0,028 kg



**Visaton BF 32 - 8 Ohm**  
Frequenzgang und Impedanz

