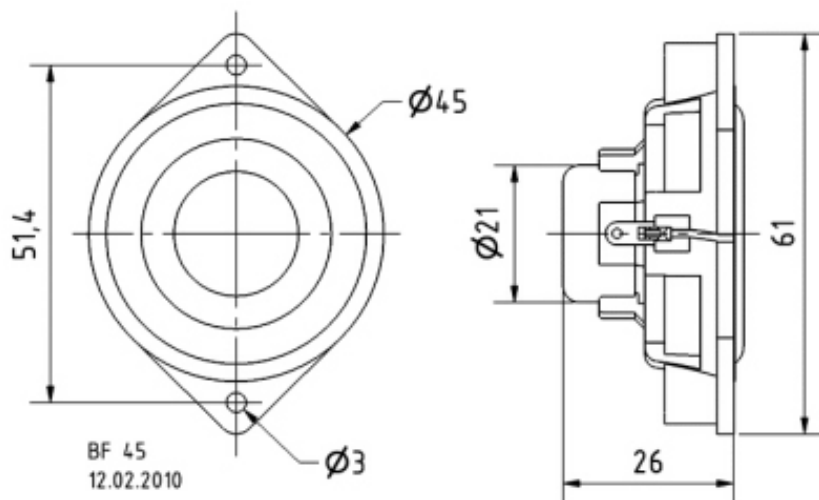


Technical Data

Rated power	4 W
Maximum power	8 W
Nominal Impedance Z	8 Ohm
Frequency response	90–20000 Hz
Mean sound pressure level	79 dB (1 W/1 m)
Resonance frequency f_s	160 Hz
Height of front pole-plate	3 mm
Voice coil diameter	17 mm
Height of winding	4 mm
Cutout diameter	45 mm
Net weight	32 g
Temperature range	-25 ... 70 °C



BF 45
12.02.2010

