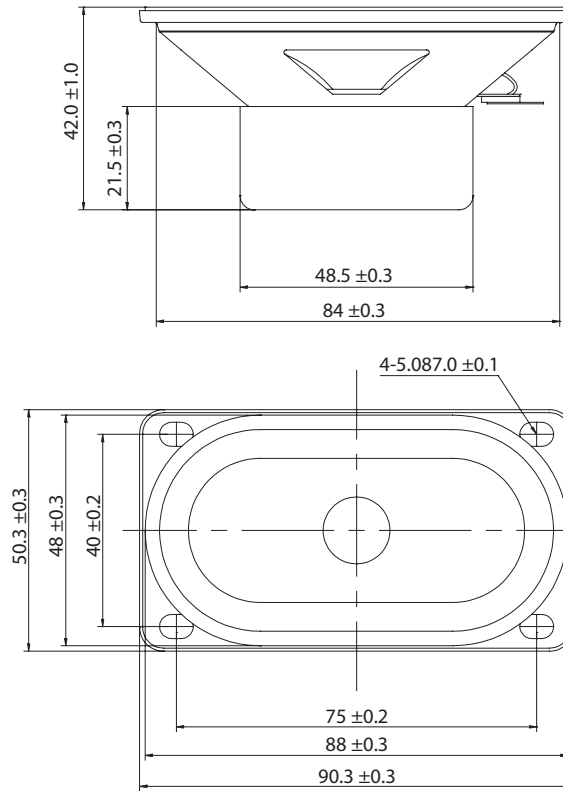


**Features**

- Lightweight paper cone
- Shielded ceramic magnet
- Coated fabric surround
- Stamped steel frame
- Compact size
- Versatile mounting

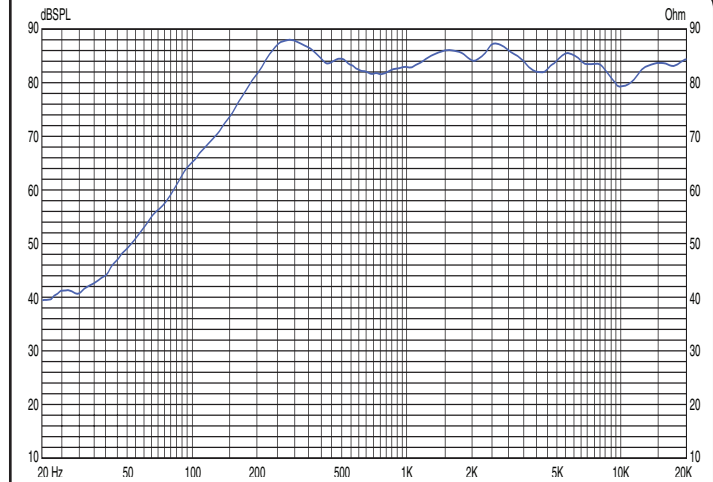
**Parameters**

Impedance ( $\Omega$ )	8
Re ( $\Omega$ )	7.0
Le (mH) @ 1 kHz	0.36
Fs (Hz)	324.3
Qms	4.72
Qes	3.89
Qts	2.13
Mms (g)	1.21
Cms (mm/N)	0.196
Sd (cm <sup>2</sup> )	20.84
Vd (cm <sup>3</sup> )	0.016
BL (Tm)	2.12
VAS (liters)	0.121
XMAX (mm)	0.8
VC Diameter (mm)	13
SPL (dB@1W/1m)	84
RMS Power Handling (w)	3.0
Usable Frequency Range (Hz)	320 - 20,000



Note: All dimensions in mm.

**Frequency Response**



Note: Due to testing limitations, response below 200 Hz is not an actual representation.

**Impedance/Phase**

