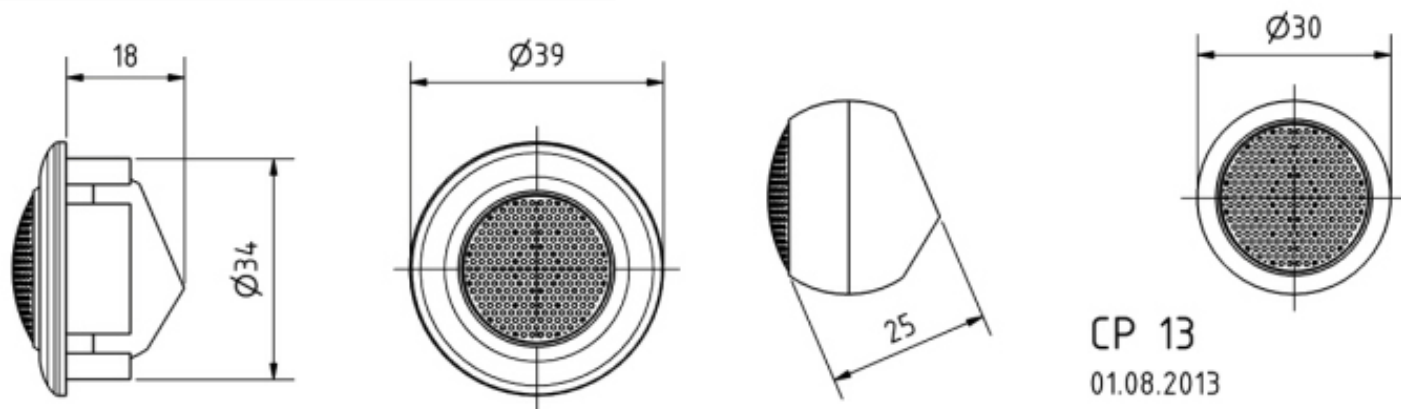


Technical Data

Nominal impedance Z	4 Ohm
Frequency response	1700–22000 Hz
Mean sound pressure level	86 dB (1 W/1 m)
Opening angle (-6 dB)	180°/8000 Hz
Resonance frequency fs	2400 Hz
Magnetic induction	0.8 T
Magnetic flux	65 μWb
Voice coil diameter	13 mm
Height of winding	1.5 mm
Cutout diameter	33.5 mm
Net weight	0.033 kg
D.C. resistance Rdc	3.3 Ohm
Inductance of the voice coil L	0.4 mH
Peak power handling with high pass	100 W (12 dB/Okt.; 6000 Hz)
Nominal power handling with high pass	60 W (12 dB/Okt.; 6000 Hz)

CP13 (#4454)



CP 13
01.08.2013

Visaton CP 13 - 4 Ohm
Frequenzgang und Impedanz

