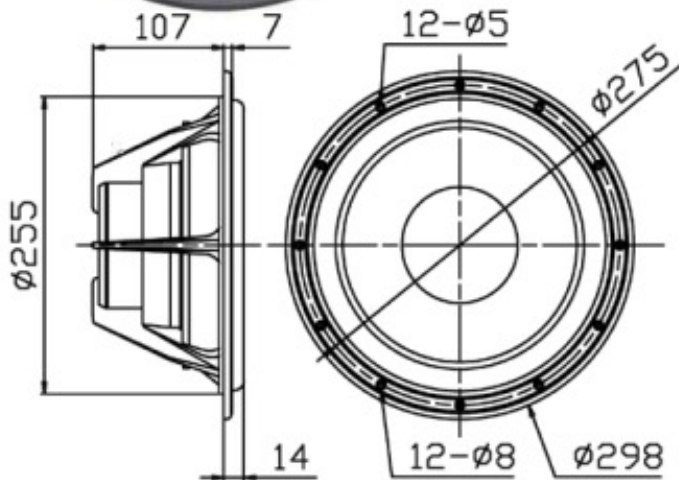


# D10G



## D10G bass-midrange

Nominal Impedance (Z)( $\Omega$ ) :	8
Resonance Frequency (Fs)(Hz) :	25
Nominal Power Handling (Pnom)(W) :	150
Sensitivity (2.83V/1m)(dB) :	88
Weight (M)(Kg) :	4
VC Diameter (mm) :	100 CCAW
DC (Re)( $\Omega$ ) :	6.5
VC Length (H)(mm) :	23.5
VC Former :	BAL
VC Layers :	2
Force Factor (BL)(TM) :	12.1
Gap Height (He)(mm) :	7
Linear Excursion (Xmax)(mm) :	8.3
Suspension Compliance (Cms)(uM/N) :	565
Mechanical Q (Qms) :	2.41
Electrical Q (Qes) :	0.54
Total Q (Qts) :	0.44
Moving Mass (Mms)(g) :	74.3
Effective Piston Area (Sd)(m <sup>2</sup> ) :	0.0430
Equivalent Air Volume (Vas)(L) :	138.3
Sealed Box :	Vb=75LF-3=40Hz

