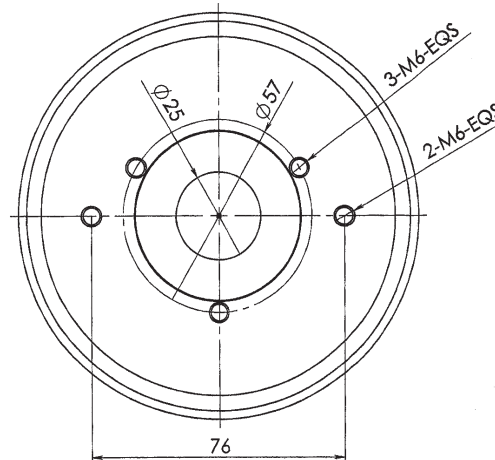
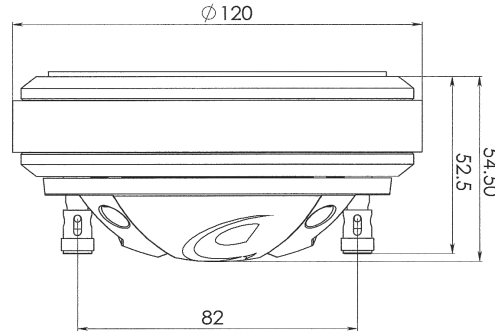


Features

- Polyimide diaphragm for smooth, detailed reproduction
- Optimized ferrite motor structure
- 1,000-20,000 Hz frequency response
- High sensitivity and power handling
- 2-bolt/3-bolt mounting for a variety of applications

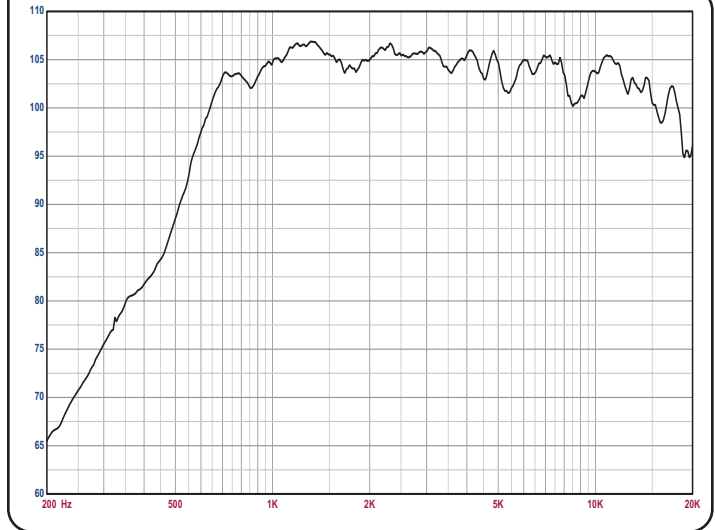
Parameters

Impedance (Ω)	8
Re (Ω)	
Le (mH) @ 10 kHz	0.12
Fs (Hz)	
Qms	
Qes	
Qts	
Mms (g)	
Cms (mm/N)	
Sd (cm ²)	
Vd (cm ³)	
BL (Tm)	
VAS (liters)	
XMAX (mm)	
VC Diameter (mm)	44
SPL (dB@1W/1m)	104
RMS Power Handling (w)	60
Usable Frequency Range (Hz)	1,000 - 20,000



Note: All dimensions in mm.

Frequency Response



Impedance/Phase

