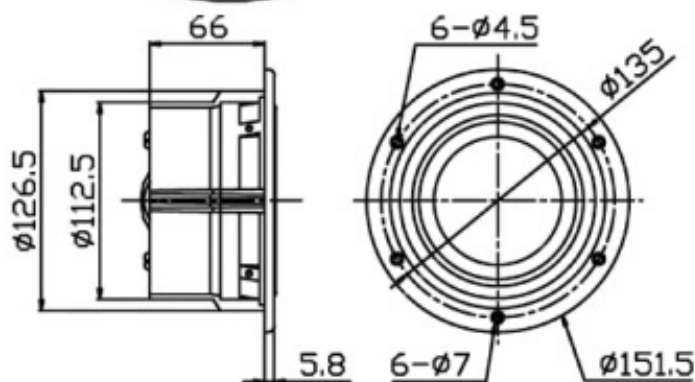


# D5.8



D5.8	
Nominal Impedance (Z)( $\Omega$ ) :	8
Resonance Frequency (Fs) (Hz) :	52
Nominal Power Handling (Pnom)(W) :	60
Sensitivity (2.83w/1m)(dB) :	83
Weight (M)(Kg) :	1.8
VC Diameter (mm) :	78 C:CAW
DC (Re)( $\Omega$ ) :	6.5
VC Length (H)(mm) :	15.5
VC Former :	Kapton
VC Layers :	2
Magnet System :	Insides Ferrite
Force Factor (BL)(TM) :	9.0
Gap Height (He)(mm) :	6.0
Linear Excursion (Xmax) (mm) :	4.8
Suspension Compliance (Cms)( $\mu\text{M/N}$ ) :	522
Mechanical Q (Qms) :	3.07
Electrical Q (Qes) :	0.42
Total Q (Qts) :	0.37
Moving Mass (Mms)(g) :	17.3
Effective Piston Area (Sd) (m <sup>2</sup> ) :	0.0087
Equivalent Air Volume (Vas) (L) :	5.6
Vented Box :	Vb=8L, Fb=48HzF-3=45Hz

