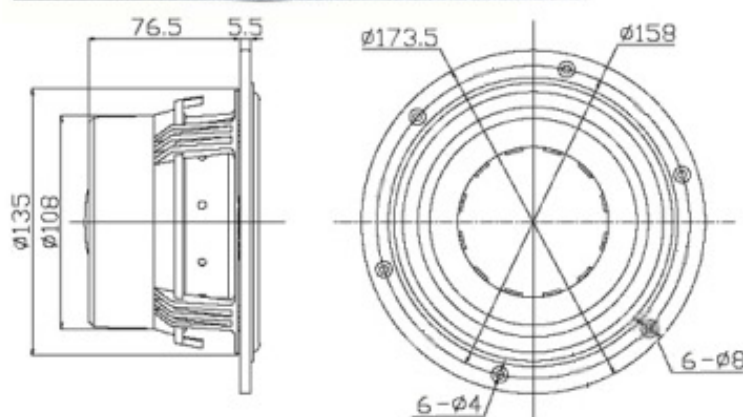


D6.8



D6.8	
Nominal Impedance (Z)(Ω) :	8
Resonance Frequency (Fs) (Hz) :	42
Nominal Power Handling (Pnom)(W) :	60
Sensitivity (2.83v/1m)(dB) :	85
Weight (M)(Kg) :	1.9
VC Diameter (mm) :	76CCA/W
DC (Re)(Ω) :	6.5
VC Length (H)(mm) :	15.5
VC Former :	Kapton
VC Layers :	2
Force Factor (BL)(TM) :	9.5
Gap Height (He)(mm) :	6.0
Linear Excursion (Xmax) (mm) :	4.8
Suspension Compliance (Cms)(uMN) :	652
Mechanical Q (Qms) :	3.81
Electrical Q (Qes) :	0.45
Total Q (Qts) :	0.40
Moving Mass (Mms)(g) :	21.8
Effective Piston Area (Sd) (m ²) :	0.0121
Equivalent Air Volume (Vas) (L) :	13.5
Vented Box :	Vb=15L, Fb=43HzF-3=40Hz

