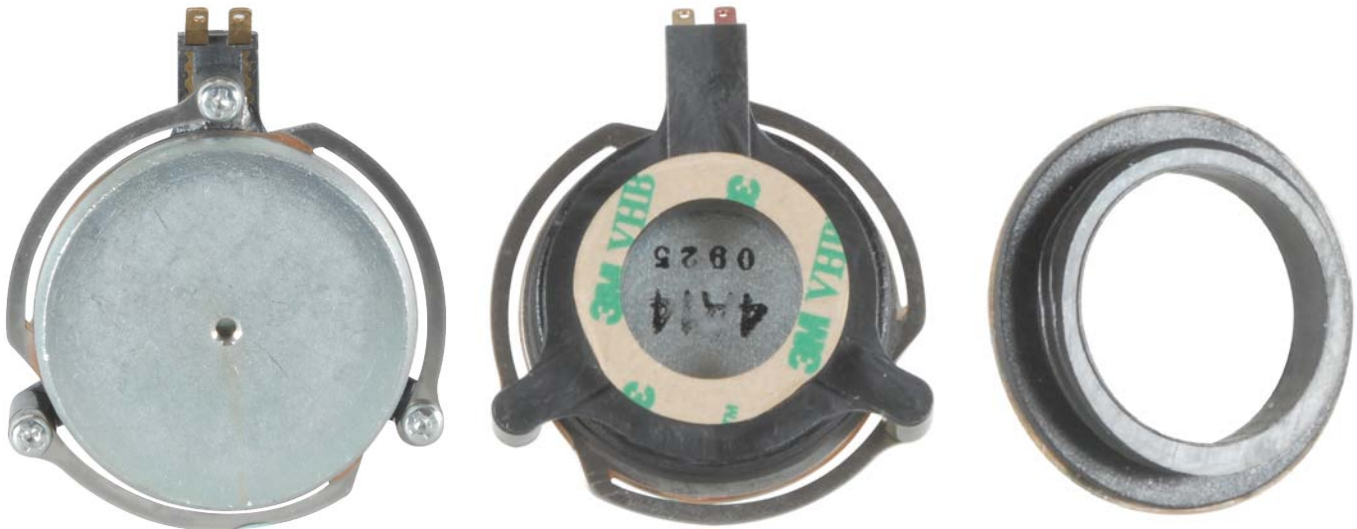




# Product Information Sheet

## DAEX32 Balanced Exciter with Coupler Ring 32mm



### Applications

The balanced exciter is a serviceable, semi-sealed exciter with excellent durability originally designed for automotive applications.

### Technical Features

- Available in 4ohm nominal impedance ( $\pm 15\%$ , manufacturer's specification)
- Rubber seal around magnet cup seals the voice coil assembly from the outside environment
- Supplied with a screw-in adaptor for easy serviceability. The screw-in adaptor (black ring shown in above picture) is typically bonded to the panel surface via a 3M VHB (Very High Bond) adhesive tape, allowing the main body of the exciter to be un-screwed if required.
- Basic exciter dimensions - Max OD  $\Phi 59.5\text{mm}$ , Thickness 18.5mm, Weight – 133gms.
- Nominal Power rating – 15W rms, Max Power rating – 30W rms (manufacturer's rating according to IEC 268-5)
- Heat resistance – tested at 60°C for 48hrs, Cold resistance – tested at -20°C for 48 hrs (manufacturer's information)
- Humidity resistance - tested at 40°C for 48hrs, 90-95% humidity for 96 hrs (manufacturer's information)

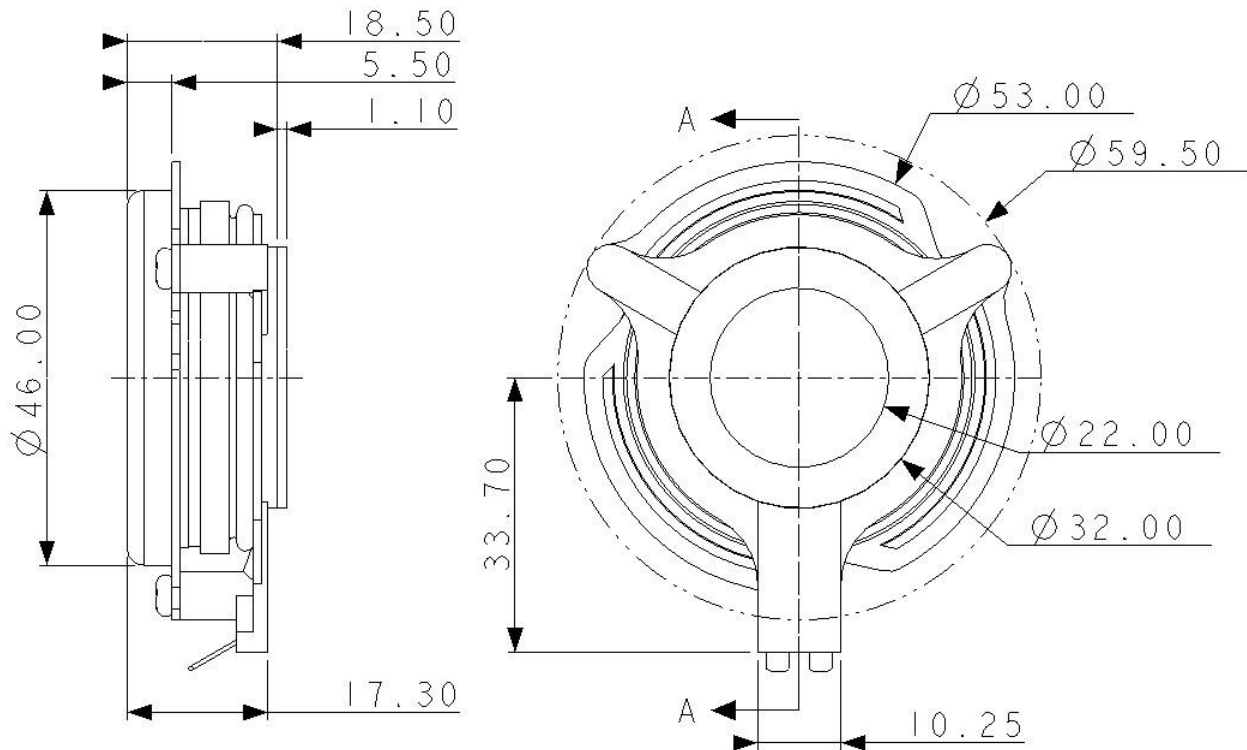
## Dynamic Drive Parameters

BI	$R_e$	$L_e @ 10\text{kHz}$	Expo $L_e$	Expo $R_e$	$f_{re}$	Mms	Mmm
Tm	$\Omega$	$\mu\text{H}$			kHz	gms	gms
3.533	3.4	99.35	0.881	0.675	12.2	3.2	133

Cms	Rms	dDrv
m/N	Ns/m	cm
24.132	1.508	3.2

Impedance measured using Clio and drive parameters calculated using ExcParam (NXT Designer software)

## Basic Drawing



Dayton Audio  
 Springboro, Ohio, USA  
 Phone: 937.743.8248  
 daytonaudio.com