

DC130A-8

5-1/4" Classic Woofer

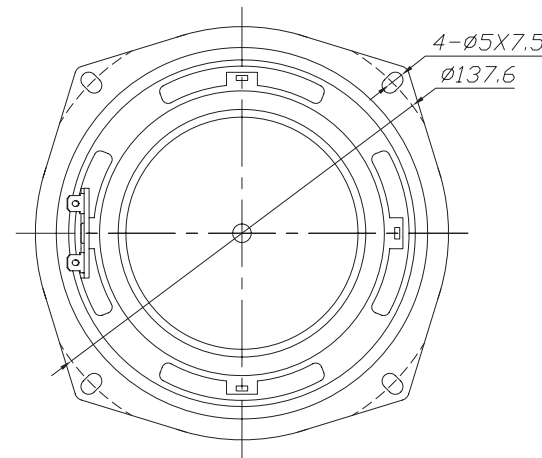
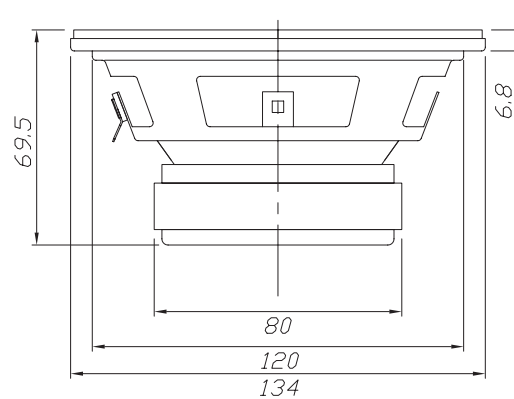


Features

- 5-1/4" polymer laminate non-pressed paper cone
- Rubber suspension
- Pincushion style frame
- High temperature aluminum voice coil
- Coated cloth dust cap
- Vented pole piece

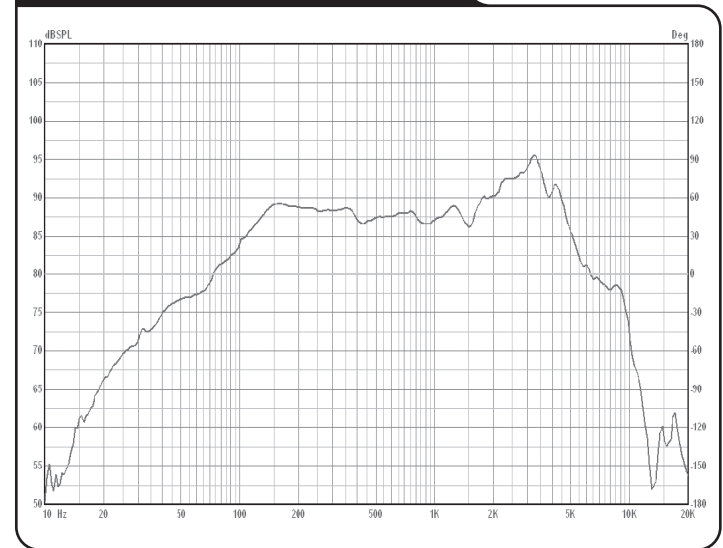
Parameters

Impedance ( $\Omega$ )	8
Re ( $\Omega$ )	5.7
Le (mH) @ 1 kHz	0.80
Fs (Hz)	49.8
Qms	1.79
Qes	0.50
Qts	0.39
Mms (g)	9.2
Cms (mm/N)	1.11
Sd (cm <sup>2</sup> )	91.6
Vd (cm <sup>3</sup> )	22.9
BL (Tm)	5.73
VAS (liters)	14.0
XMAX (mm)	2.5
VC Diameter (mm)	25.4
SPL (dB@1W/1m)	87.3
RMS Power Handling (w)	40
Usable Frequency Range (Hz)	50 - 5,000



Note: All dimensions in mm.

Frequency Response



Impedance/Phase

