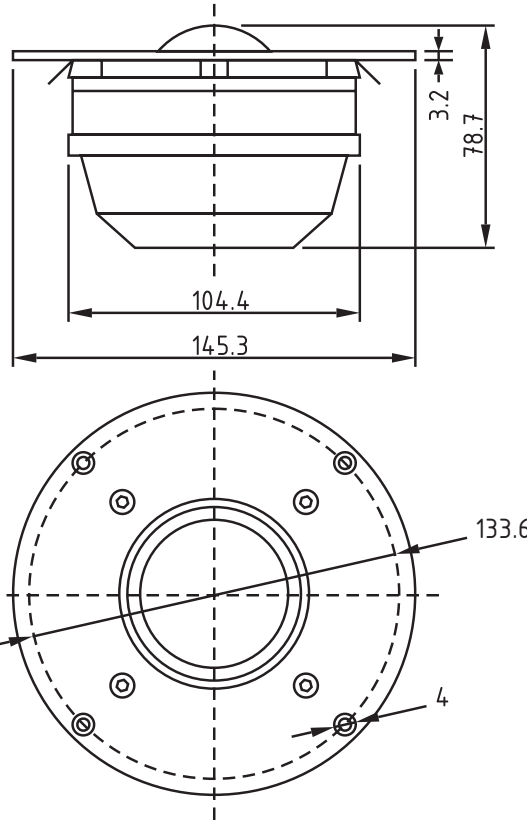


DC50FA-8

2" Dome Midrange



Parameters

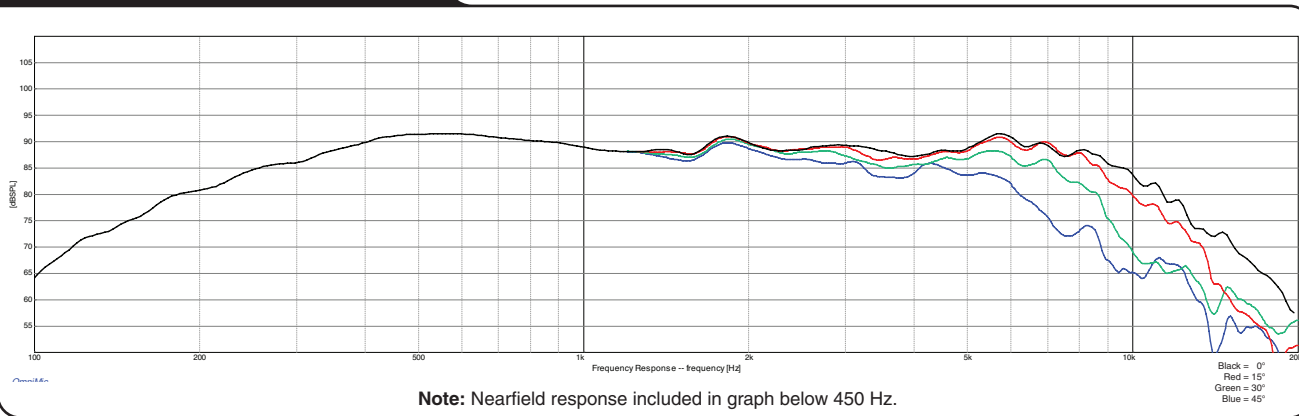
Impedance (Ω)	8
Re (Ω)	4.5
Le (mH) @ 1 kHz	0.41
Fs (Hz)	380
Qms	4.13
Qes	1.16
Qts	0.91
Mms (g)	2.2
Cms (mm/N)	0.07
Sd (cm ²)	23.7
Vd (cm ³)	—
BL (Tm)	4.45
VAs (liters)	—
XMAX (mm)	1
VC Diameter (mm)	52
SPL (dB 2.83V/1m)	89
RMS Power Handling (w)	80
Usable Frequency Range (Hz)	380-9,100

Features

- Treated fabric dome for smooth response
- Low moving mass provides excellent detail
- Superior off-axis frequency response
- Attractive, Euro-styled aluminum faceplate
- Large rear chamber for low resonance

Note: All dimensions in mm.

Frequency Response



Note: Nearfield response included in graph below 450 Hz.

Impedance/Phase

