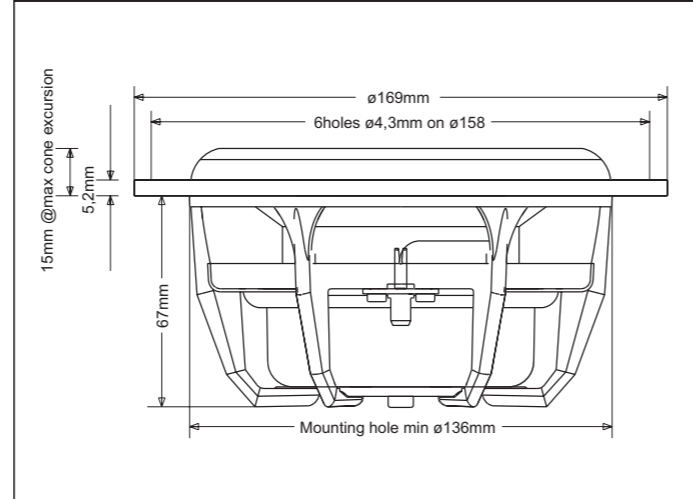


The Esotar<sup>2</sup> 650 is a 17 cm (6.5") diameter mid/bass driver that is built on a rigid, die-cast solid aluminum frame and features Dynaudio's characteristic MSP (Magnesium Silicate Polymer) diaphragm.

The MSP cone is a proprietary Dynaudio innovation, made in-house and featuring precisely-shaped, geometrically-optimized form to enable the smooth, optimized sound dispersion.

The voice coil diameter is exceptionally large at 75 mm, but by using extremely light aluminum wire wound on a Kapton former, the coil remains extremely lightweight to enable ultra-fast movement. The large coil enables the magnet to be positioned inside the coil, allowing for a larger and more homogenous magnetic field to be utilized. In conjunction with the incredibly powerful, high-efficiency neodymium magnet, this low-mass driver construction provides excellent transient response, incredible speed and unmatched precision.

When used as part of a two-way speaker system, the midrange resolution of the Esotar<sup>2</sup> 650 is simply beyond reproach; mid-bass remains taught and accurate while always exhibiting perfect control at all volume levels. The Esotar<sup>2</sup> 650 perfectly reflects the innovation and performance that have established the Dynaudio Esotar drivers as the most advanced high-performance transducers available.

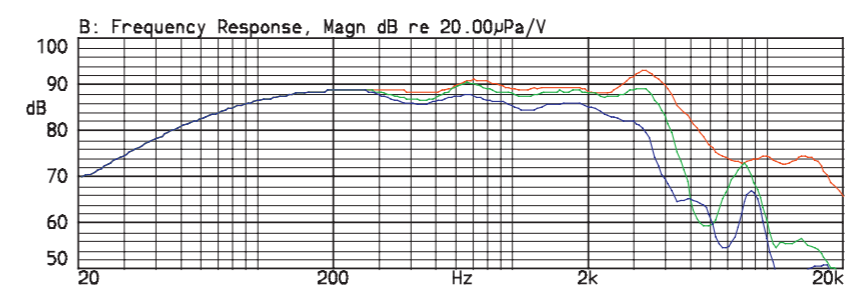
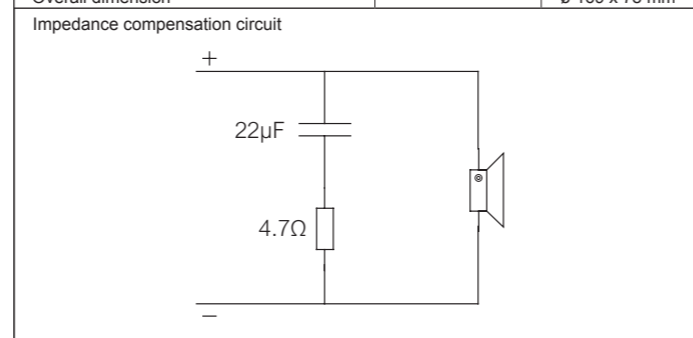


Thiele Small Parameters		
Nominal impedance	Znom	4 Ω
DC resistance	Re	3.4 Ω
Voice coil inductance	Le	0.33 mH
Resonance frequency	fs	49.6 Hz
Mechanical Q factor	Qms	6.2
Electrical Q factor	Qes	0.47
Total Q factor	Qts	0.44
Mechanical resistance	Rms	1 kg/s
Moving mass (incl. air load)	Mms	20 g
Suspension compliance	Cms	0.52 mm/N
Effective dome diameter	d	123 mm
Effective piston area	Sd	120 cm <sup>2</sup>
Equivalent volume	Vas	10.5 l
Force factor	BL	6.73 Tm
Recommended frequency range		50–4000 Hz

Magnet and Voice Coil Properties		
Voice coil diameter	dc	75 mm
Voice coil height	hc	14 mm
Linear excursion, peak to peak		9 mm
Max. excursion, peak to peak		21 mm

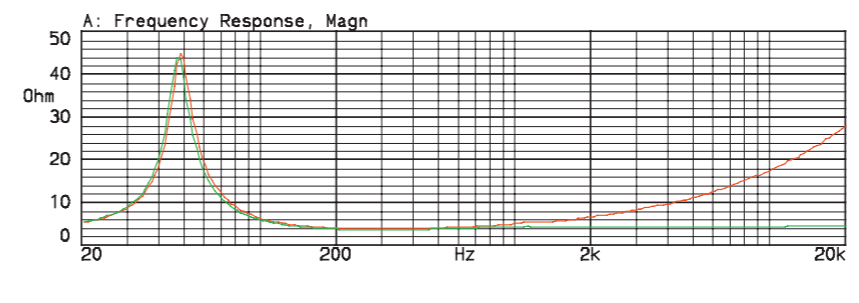
Power Handling		
Nominal long term IEC		200 W
Transient (10 ms)		1000 W

Mechanical Properties		
Net weight		1.25 kg
Overall dimension		ø 169 x 78 mm



**SPL**  
 Red line: on-axis response  
 Green line: 30° horizontal  
 Blue line: 60° horizontal  
 Measurement conditions:  
 Level: 2.83 V  
 Distance: 1 m  
 Box volume: 15.6 l

**Facts**  
 Diaphragm and dust cap moulded as one piece  
 Large 75 mm voice coil ensures high power handling  
 Internal double neodymium magnet system with vented pole piece  
 Aluminium voice coil wire provides for a low moving mass, wound on kapton former in a car



**Impedance**  
 (with and without impedance correction circuit)  
 Red line: impedance, free air  
 Green line: impedance, free air with compensation.  
 Measurement conditions:  
 Level: 3.16 V, 50 ohm  
 Driver in free air

Rigid die-cast chassis with aerodynamically shaped ribs  
 Materials and parameters are optimized for the harsh environmental conditions in a car  
 Smooth high-frequency roll-off  
 Natural midrange reproduction