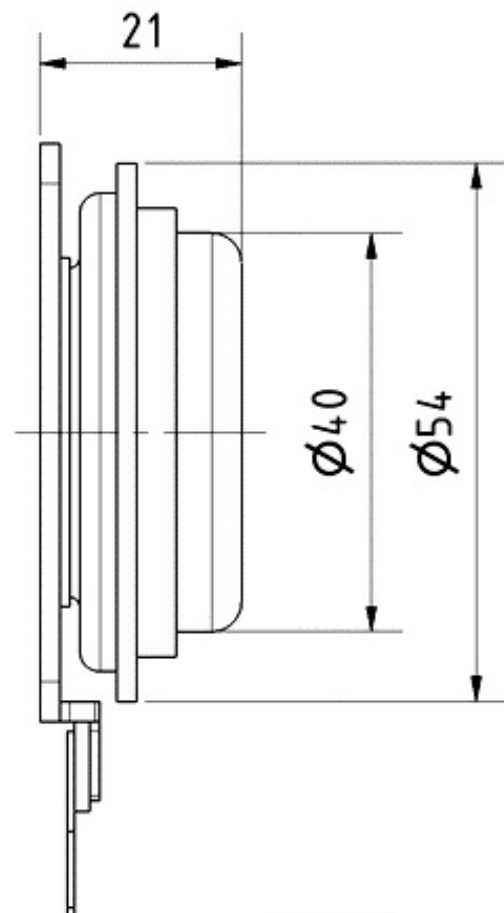
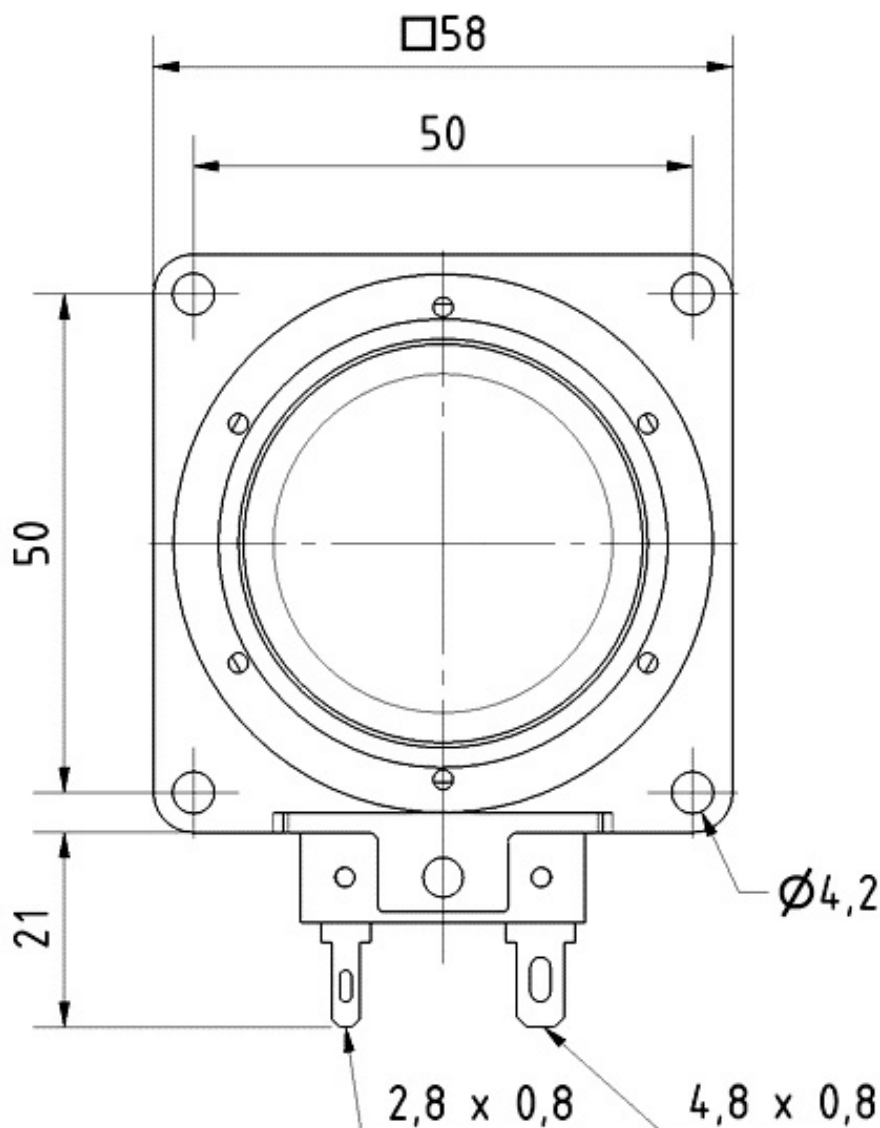


**Technical Data:**

Maximum power	25 W *)
Nominal impedance Z	8 Ohm
Voice coil diameter	32,5 mm
Net weight	0,12 kg
Connections	4,8 x 0,8 mm (+) 2,8 x 0,8 mm (-)
Temperature range	-25 ... 70 °C



EX 60 S  
 03.03.2010