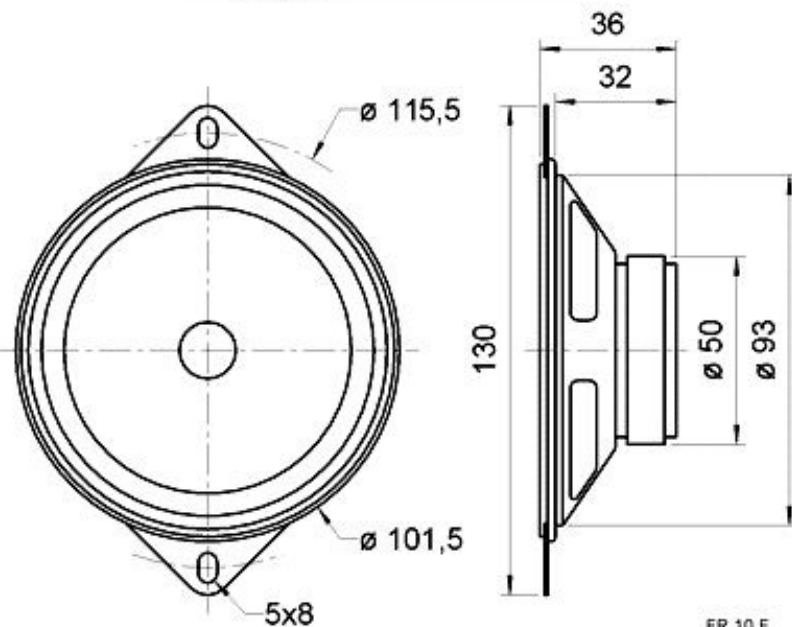


FR10F (#4622)

Technical Data:

Rated power	20 Watt
Maximum power	30 Watt
Nominal impedance	4 Ohm
Frequency response (-10 dB)	100 - 22000 Hz
Mean sound pressure level	86 dB (1W/1m)
Resonance frequency fs	133 Hz
Height of front pole-plate	3 mm
Voice coil diameter	14 mm
Cutout diameter	94 mm
Net weight	200 g
D.C. resistance Rdc	3,7 Ohm
Mechanical Q factor Qms	6,5
Electrical Q factor Qes	1,99
Total Q factor Qts	1,52
Equivalent volume Vas	2,2 l
Effective piston area Sd	52 cm ²
Dynamically moved mass Mms	2,4 g
Force factor Bxl	1,69 Tm
Inductance of the voice coil L	0,35 mH



FR 10 F
26.03.03

