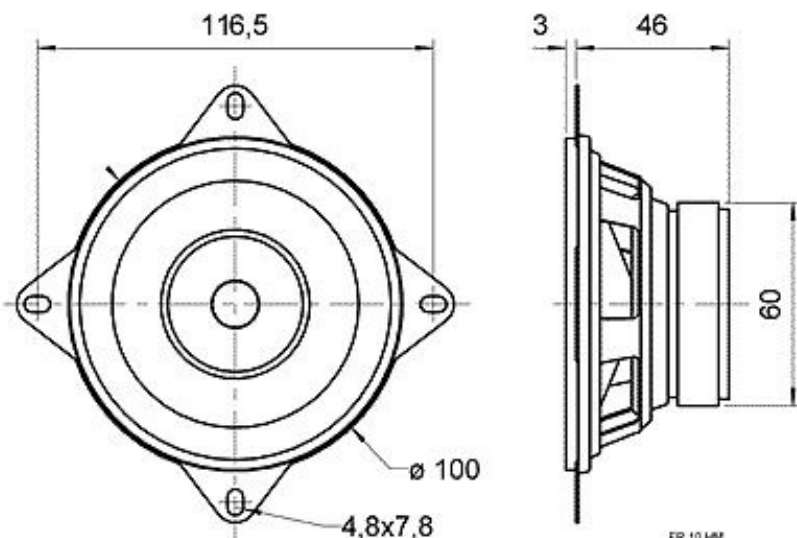


# FR 10HM (#4898)

## Technical Data:

Rated power	20 Watt
Maximum power	30 Watt
Nominal impedance	4 Ohm
Frequency response (-10 dB)	95 - 22000 Hz
Mean sound pressure level	86 dB (1W/1m)
Maximum cone displacement	4 mm
Resonance frequency $f_s$	120 Hz
Magnetic induction	1,1 Tesla
Magnetic flux	100 $\mu$ Weber
Height of front pole-plate	2 mm
Voice coil diameter	14 mm
Height of winding	5 mm
Cutout diameter	94 mm
Net weight	0,34 kg
D.C. resistance $R_{dc}$	3,2 Ohm
Mechanical Q factor $Q_{ms}$	5,35
Electrical Q factor $Q_{es}$	1,44
Total Q factor $Q_{ts}$	1,14
Equivalent volume $V_{as}$	2,1 l
Effective piston area $S_d$	50 cm <sup>2</sup>
Dynamically moved mass $M_{ms}$	2,7 g
Force factor $B_{xl}$	2,12 Tm
Inductance of the voice coil L	0,16 mH



FR 10 HM  
08.01.02

