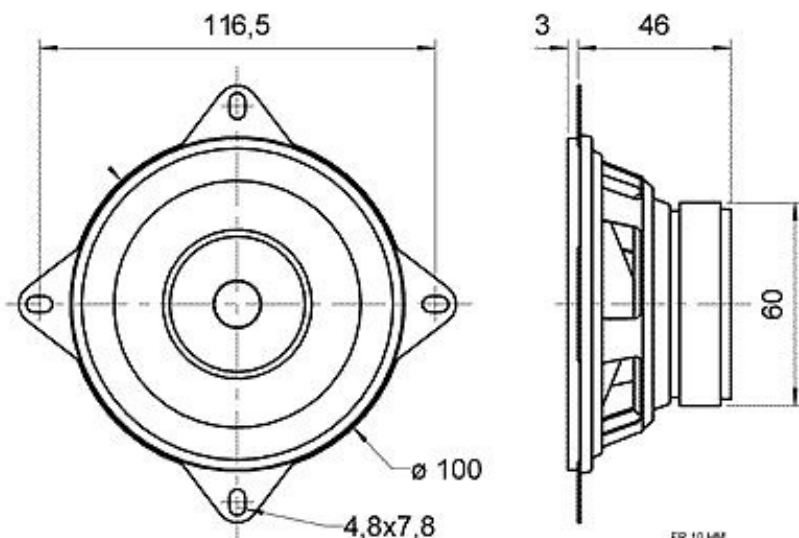


FR10HM (#4899)

Technical Data:

Rated power	20 Watt
Maximum power	30 Watt
Nominal impedance	8 Ohm
Frequency response (-10 dB)	95 - 22000 Hz
Mean sound pressure level	86 dB (1W/1m)
Maximum cone displacement	4 mm
Resonance frequency fs	120 Hz
Magnetic induction	1,1 Tesla
Magnetic flux	100 μ Weber
Height of front pole-plate	2 mm
Voice coil diameter	14 mm
Height of winding	5 mm
Cutout diameter	94 mm
Net weight	0,34 kg
D.C. resistance Rdc	7,2 Ohm
Mechanical Q factor Qms	5,89
Electrical Q factor Qes	1,91
Total Q factor Qts	1,45
Equivalent volume Vas	2 l
Effective piston area Sd	50 cm ²
Dynamically moved mass Mms	2,8 g
Force factor Bxl	2,87 Tm
Inductance of the voice coil L	0,2 mH



FR 10 HM
08.01.02

