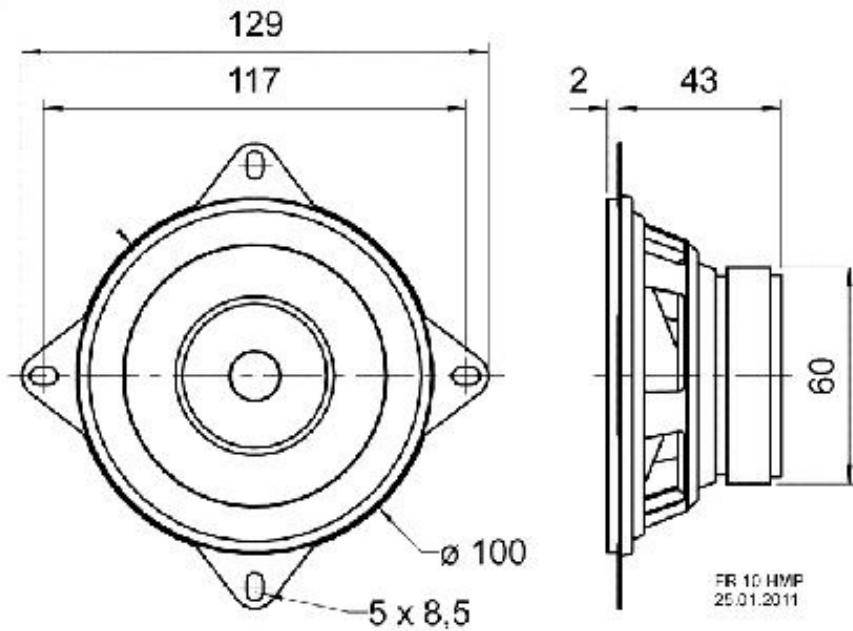


**Technical Data:**

Rated power	20 W
Maximum power	30 W
Nominal impedance Z	4 Ohm
Frequency response	90–20000 Hz
Mean sound pressure level	86 dB (1 W/1 m)
Opening angle (-6 dB)	87°/4000 Hz
Excursion limit	+/-2 mm
Resonance frequency $f_s$	120 Hz
Height of front pole-plate	2 mm
Voice coil diameter	14 mm
Height of winding	5 mm
Cutout diameter	94 mm
Net weight	0,268 kg
Temperature range	-25 ... 70 °C



**Visaton FR 10 HMP - 4 Ohm**

Frequenzgang und Impedanz

