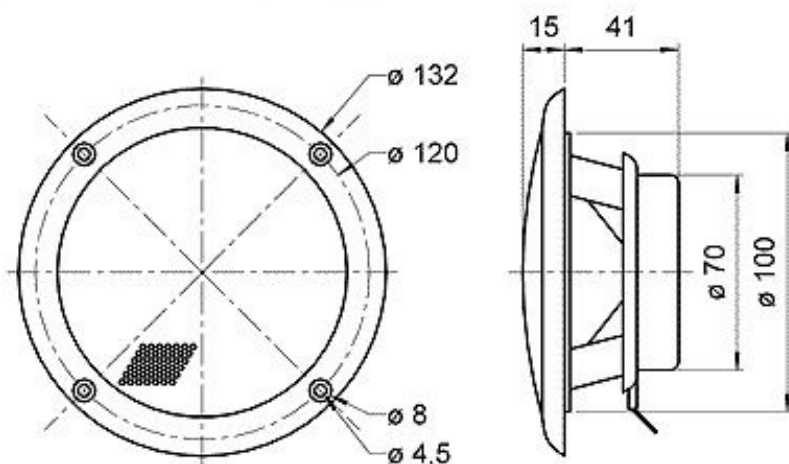


FR10WP (#2110)

Technical Data:

Rated power	20 Watt
Maximum power	30 Watt
Nominal impedance	4 Ohm
Frequency response (-10 dB)	80 - 16000 Hz
Mean sound pressure level	85 dB (1W/1m)
Resonance frequency f_s	120 Hz
Voice coil diameter	20 mm
Cutout diameter	101 mm
Net weight	275 g
D.C. resistance R_{dc}	3,8 Ohm
Mechanical Q factor Q_{ms}	3,13
Electrical Q factor Q_{es}	2,14
Total Q factor Q_{ts}	1,27
Equivalent volume V_{as}	2,1 l
Effective piston area S_d	50 cm ²
Dynamically moved mass M_{ms}	5 g
Force factor $B \cdot l$	2,75 Tm
Inductance of the voice coil L	0,3 mH
Heat resistance	80°C
Colour	weiß / white



FR 10 WP
26.02.02

