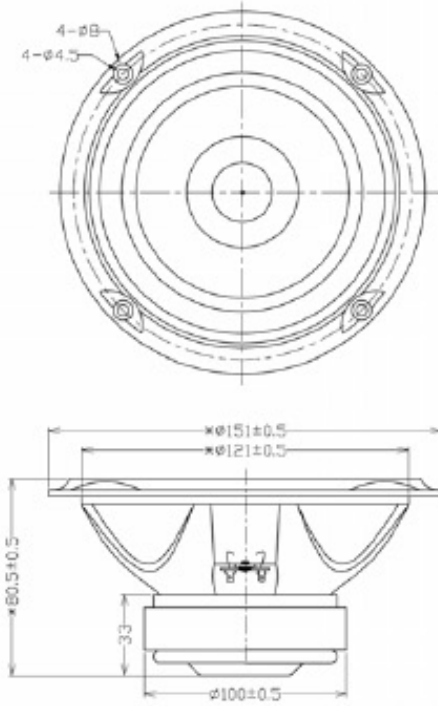


Full Range



MODEL: FR151B8-22F



Specifications & Thiele/Small Parameter

Impedance	: 8 Ohm
Minimum Frequency Response	: 43 Hz
Reproduction Frequency Response	: Fo~20K
S.P.L.	: 86.732 dB/W(m)
Rated Input	: 30 W
Music Power	: 40 W
Equivalent Diaphragm Radius	: 54 mm
Equivalent Mass	: 8.137g
Magnet Weight	: 450g
Net Weight	: 1500g
Fs	: 43.97Hz
Re	: 6.2 Ohm
Mms	: 8.67 g
BL	: 5.255TM
Qts	: 0.499
Qms	: 6.968
Qes	: 0.538
Vas	: 19.367 Ltr
Xmax	: 2.9 mm
no	: 0.296%
Frame	: Cast
Cone	: Wooden / Wooden
Surround	: Rubber
Damper	: CONEX (4Hole)
VC DIA	: $\Phi 30.5$ KSV 0.22 CCAW
Magnet	: $\Phi 100 \times \Phi 60 \times 15$ Y30 $\Phi 24.5 \times \Phi 12 \times 4$ N35
Short Ring	: Cu Cap
Center Cap	: AL Phase Plug (Glod)

