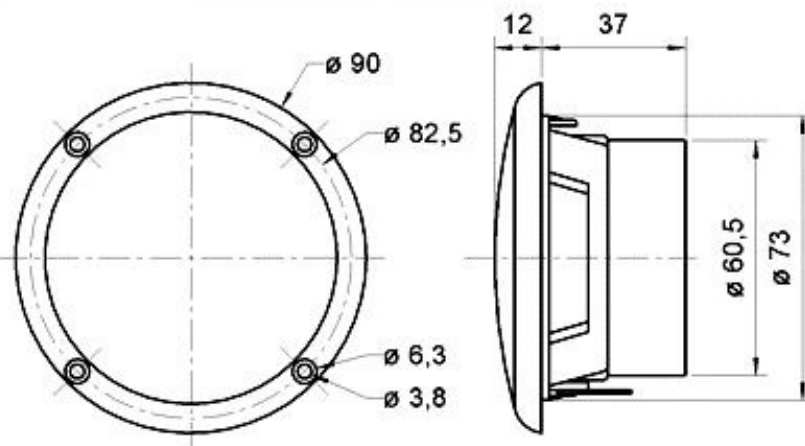


FR8WP (#2148)

Technical Data:

Rated power	15 Watt
Maximum power	25 Watt
Nominal impedance	4 Ohm
Frequency response (-10 dB)	100 - 20000 Hz
Mean sound pressure level	84 dB (1W/1m)
Resonance frequency f_s	158 Hz
Voice coil diameter	20 mm
Cutout diameter	74 mm
Net weight	0,23 kg
D.C. resistance R_{dc}	4,1 Ohm
Mechanical Q factor Q_{ms}	2,62
Electrical Q factor Q_{es}	1,33
Total Q factor Q_{ts}	0,88
Equivalent volume V_{as}	0,4 l
Effective piston area S_d	30 cm ²
Dynamically moved mass M_{ms}	2,9 g
Force factor B_{xl}	2,79 Tm
Inductance of the voice coil L	0,33 mH
Protective system	IP 65
Heat resistance	80°C
Colour	schwarz / black



FR 8 WP
02.05.03

