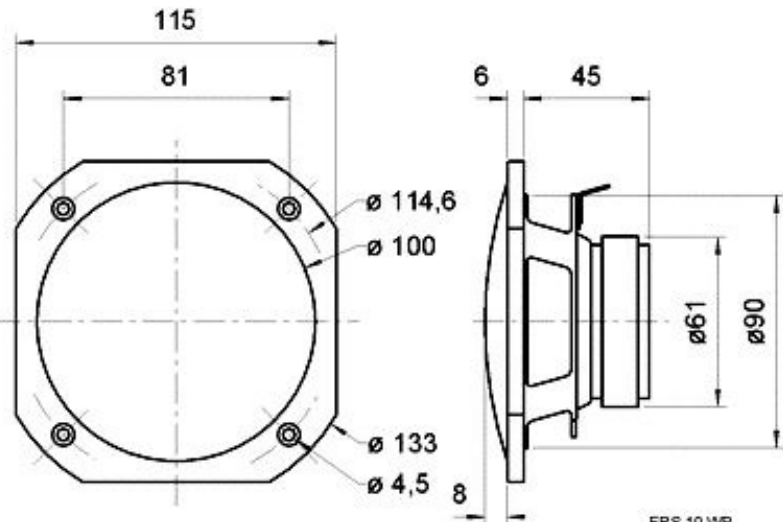


FRS10WP (#2100)

Technical Data:

Rated power	25 Watt
Maximum power	50 Watt
Nominal impedance	4 Ohm
Frequency response (-10 dB)	90 - 19000 Hz
Mean sound pressure level	90 dB (1W/1m)
Maximum cone displacement	6 mm
Resonance frequency fs	190 Hz
Magnetic induction	0,9 Tesla
Magnetic flux	160 μ Weber
Height of front pole-plate	3 mm
Voice coil diameter	1,9 cm
Height of winding	0,5 cm
Cutout diameter	9,2 cm
Net weight	0,36 kg
D.C. resistance Rdc	3,5 Ohm
Mechanical Q factor Qms	3,19
Electrical Q factor Qes	1,08
Total Q factor Qts	0,81
Equivalent volume Vas	1,6 l
Effective piston area Sd	57 cm ²
Dynamically moved mass Mms	2,4 g
Force factor Bxl	3,8 T · m
Inductance of the voice coil L	0,3 mH
Protective system	IP 65
Heat resistance	120°C
Colour	schwarz / black



FRS 10 WP
28.01.03

