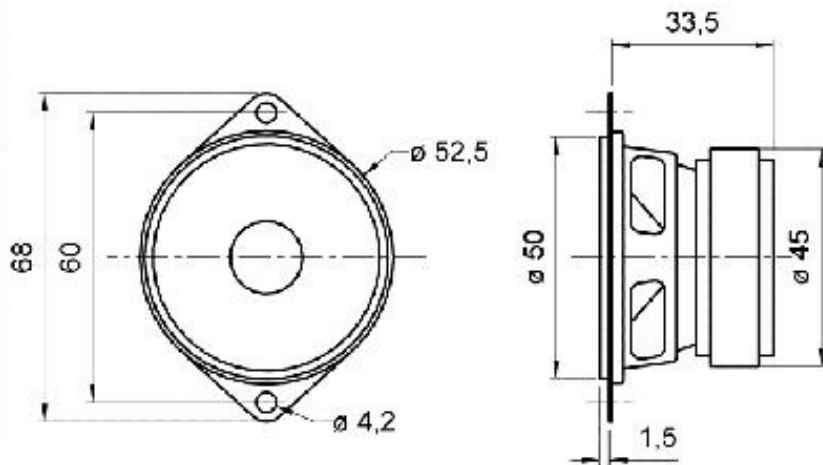


**Technical Data:**

Rated power	5 W
Maximum power	8 W
Nominal impedance Z	8 Ohm
Frequency response	120-20000 Hz
Mean sound pressure level	86 dB (1 W/1 m)
Opening angle (-6 dB)	180°/4000 Hz
Resonance frequency fs	190 Hz
Voice coil diameter	14 mm
Cutout diameter	46 mm
Net weight	0,14 kg
D.C. resistance Rdc	7,7 Ohm
Mechanical Q factor Qms	3,49
Electrical Q factor Qes	0,88
Total Q factor Qts	0,7
Equivalent volume Vas	0,23 l
Effective piston area Sd	12,5 cm²
Dynamically moved mass Mms	0,7 g
Force factor Bxl	2,67 Tm
Connections	4,8 x 0,8 mm (+) 2,8 x 0,8 mm (-)
Temperature range	-25 ... 70 °C



FRS 5 X  
18.12.05

**Visaton FRS 5 X**

Frequenzgang und Impedanz

